

Company Introduction

Nanjing Arance Electronics Co.,Ltd specialized in state-of-the-art laboratory devices. Our company owns specialization technologies team, equipped with the precision machines and using the latest test equipment. We are dedicated in a wide range of test and measurement products.

Our offering includes:

- High Performance VNA Test Assemblies that operate from DC to 67GHz. The port contains: N, 7mm, NMD3.5mm, NMD2.92mm, NMD2.4mm, NMD1.85mm.
- Types of millimeter wave cable assemblies. The frequency can operate up to 67GHz. Phase matching cable assemblies are available.
- Precision calibration kits. The port contains: N, L16, 3.5mm. More high frequency calibration kits with popular connectors are in development.
- Various coaxial adapters that operate from DC to 67GHz. NMD test port adapters, general type adapters and Low-PIM adapters are included.
- RF coaxial loads/terminations which can operate up to 50GHz.
- Microwave and millimeter wave DC blocks. The port contains: N, SMA, 3.5mm, 2.92mm, 2.4mm. The frequency can operate up to 50GHz.
- Various test and measurement accessories.

We enjoy close business ties with Research Institutes, military enterprises, communication enterprises and universities. And our products have been exported over 10 countries. We are dedicated to the professional technology and high quality, and we are committed to provide our customer the best service.





CONTENTS

| | |
|--|----|
| Cable Assemblies..... | 1 |
| High Performance VNA Test Assemblies..... | 2 |
| Low Loss Flexible Cable Assemblies..... | 9 |
| Semi-rigid & Semi-flexible Cable Assemblies..... | 11 |
| Mechanical Calibration Kits..... | 12 |
| Type N Calibration Kits | 13 |
| L16 Calibration Kits..... | 16 |
| 3.5mm Calibration Kits..... | 17 |
| RF Coaxial Adapters | 20 |
| NMD Test Port Adapters | 21 |
| Precision Coaxial Adapters..... | 24 |
| Low-PIM Adapters..... | 32 |
| RF Coaxial Loads / Terminations..... | 34 |
| DC Blocks | 36 |
| Accessories..... | 38 |
| Technical Description..... | 39 |

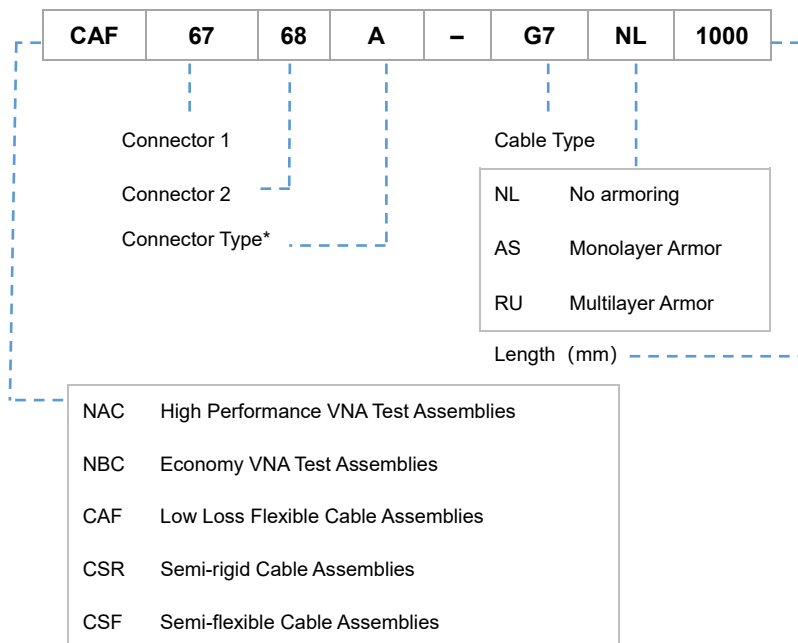
Cable Assemblies

Arance positions in high application field of microwave and millimeter wave testing. We design and manufacture broadband, low loss and high stability cable assemblies which has reached international advance level.

Our cable assemblies are classified into the following categories.

- High Performance VNA Test Assemblies
- Low Loss Flexible Cable Assemblies
- Semi-rigid & Semi-flexible Cable Assemblies

Part Numbering



*Connector Type

| Code | Connector Type |
|------|------------------|
| A | Male to Male |
| B | Female to Female |
| C | Male to Female |
| D | Female to Male |
| M | Male |
| F | Female |

High Performance VNA Test Assemblies

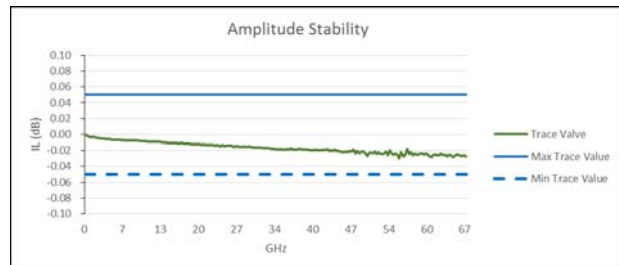
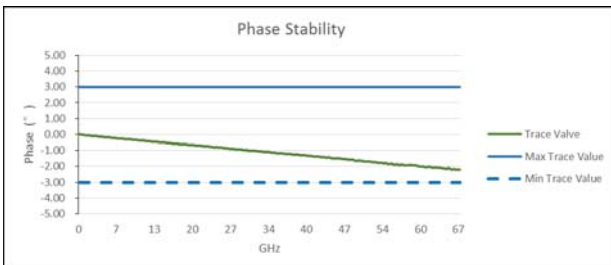
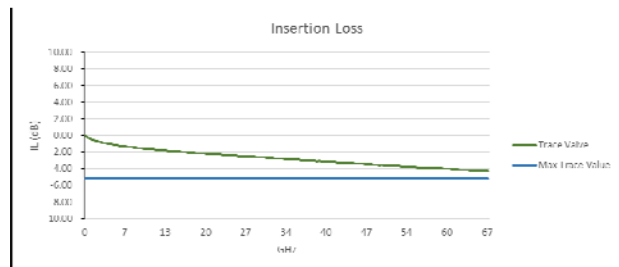
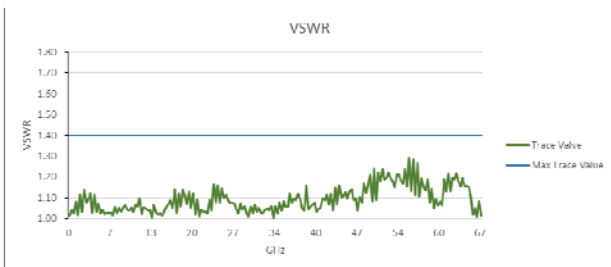
Arance's High Performance VNA Test Assemblies are specially used in high reliability vector network analyzer (VNA) test applications. The cable assemblies include NMD connectors which is solid and light weight can mate directly with VNA ports.



NAC Series—Precision VNA Test Assemblies



NBC Series—Economy VNA Test Assemblies



NAC Series — Precision VNA Test Assemblies



The NAC cable assemblies with excellent phase and amplitude stability can achieve high reliable test results with bend, crush and many other testing situations.

| Connector Materials | |
|-----------------------|-----------------------------|
| Body | Stainless Steel, Passivated |
| Center Conductor | Au-plated Beryllium Copper |
| Cable Descriptions | |
| Center Conductor | Ag-plated Copper |
| Dielectric | PTFE |
| Outer Conductor | Ag-plated Copper Tape |
| Inner Braid | Ag-plated Copper Braid |
| Outer Jacket | Multilayer armour |
| Minimum Bend Radius | 50mm |
| Environmental data | |
| Operating Temperature | 0°C~+40°C |
| Storage Temperature | -40°C~+75°C |

NAC Series Selection Matrix

| Connector2 \ Connector1 | NMD1.85mm | NMD2.4mm | NMD2.92mm | NMD3.5mm | N | 7mm |
|-------------------------|-----------|----------|-----------|----------|---|-----|
| NMD1.85mm | √ | | | | | |
| NMD2.4mm | | √ | | | | |
| NMD2.92mm | | √ | √ | | | |
| NMD3.5mm | | | | √ | N | |
| N | | | | √ | √ | |
| 7mm | | | | √ | √ | √ |
| 1.85mm | √ | | | | | |
| 2.4mm | | √ | √ | | | |
| 2.92mm | | √ | √ | | | |
| 3.5mm | | | | √ | √ | √ |

NAC Series — General Products

| NMD1.85mm Series | | | | | | | | |
|------------------|------------------|----------------|--------|------------|-------------|--------|---------------------|-----------------|
| P/N | Connector 1 | Connector 2 | Length | Frequency | VSWR | IL | Amplitude Stability | Phase Stability |
| NAC7171L1 | NMD1.85mm Female | NMD1.85mm Male | 63cm | DC~67GHz | 1.40:1(max) | <5.2dB | <±0.05dB | <±3.0° |
| NAC7161L1 | NMD1.85mm Female | 1.85mm Female | 63cm | DC~67GHz | 1.40:1(max) | <5.2dB | <±0.05dB | <±3.0° |
| NMD2.4mm Series | | | | | | | | |
| P/N | Connector 1 | Connector 2 | Length | Frequency | VSWR | IL | Amplitude Stability | Phase Stability |
| NAC7878L1 | NMD2.4mm Female | NMD2.4mm Male | 63cm | DC~50GHz | 1.30:1(max) | <3.0dB | <±0.05dB | <±3.0° |
| NAC7868L1 | NMD2.4mm Female | 2.4mm Female | 63cm | DC~50GHz | 1.30:1(max) | <3.0dB | <±0.05dB | <±3.0° |
| NAC7837L1 | NMD2.4mm Female | NMD2.92mm Male | 63cm | DC~40GHz | 1.30:1(max) | <2.8dB | <±0.05dB | <±2.5° |
| NAC7867L1 | NMD2.4mm Female | 2.92mm Female | 63cm | DC~40GHz | 1.30:1(max) | <2.8dB | <±0.05dB | <±2.5° |
| NMD2.92mm Series | | | | | | | | |
| P/N | Connector 1 | Connector 2 | Length | Frequency | VSWR | IL | Amplitude Stability | Phase Stability |
| NAC3778L1 | NMD2.92mm Female | NMD2.4mm Male | 63cm | DC~40GHz | 1.30:1(max) | <2.8dB | <±0.05dB | <±2.5° |
| NAC3768L1 | NMD2.92mm Female | 2.4mm Female | 63cm | DC~40GHz | 1.30:1(max) | <2.8dB | <±0.05dB | <±2.5° |
| NAC3737L1 | NMD2.92mm Female | NMD2.92mm Male | 63cm | DC~40GHz | 1.30:1(max) | <2.8dB | <±0.05dB | <±2.5° |
| NAC3767L1 | NMD2.92mm Female | 2.92mm Female | 63cm | DC~40GHz | 1.30:1(max) | <2.8dB | <±0.05dB | <±2.5° |
| NMD3.5mm Series | | | | | | | | |
| P/N | Connector 1 | Connector 2 | Length | Frequency | VSWR | IL | Amplitude Stability | Phase Stability |
| NAC7676L1 | NMD3.5mm Female | NMD3.5mm Male | 63cm | DC~26.5GHz | 1.25:1(max) | <1.8dB | <±0.05dB | <±2.0° |
| NAC7666L1 | NMD3.5mm Female | 3.5mm Female | 63cm | DC~26.5GHz | 1.25:1(max) | <1.8dB | <±0.05dB | <±2.0° |
| N Type Series | | | | | | | | |
| P/N | Connector 1 | Connector 2 | Length | Frequency | VSWR | IL | Amplitude Stability | Phase Stability |
| NAC6565AL1 | N Male | N Male | 63cm | DC~18GHz | 1.20:1(max) | <1.5dB | <±0.05dB | <±1.5° |
| NAC6565CL1 | N Male | N Female | 63cm | DC~18GHz | 1.20:1(max) | <1.5dB | <±0.05dB | <±1.5° |
| 7mm Series | | | | | | | | |
| P/N | Connector 1 | Connector 2 | Length | Frequency | VSWR | IL | Amplitude Stability | Phase Stability |
| NAC3535L1 | 7mm Sexless | 7mm Sexless | 63cm | DC~18GHz | 1.20:1(max) | <1.5dB | <±0.05dB | <±1.5° |

* Available with different lengths upon request.

NAC Series— Expanding Products

| NMD1.85mm Series | | | | | | | | |
|------------------|------------------|------------------|--------|------------|-------------|--------|---------------------|-----------------|
| P/N | Connector 1 | Connector 2 | Length | Frequency | VSWR | IL | Amplitude Stability | Phase Stability |
| NAC7171BL1 | NMD1.85mm Female | NMD1.85mm Female | 63cm | DC~67GHz | 1.40:1(max) | <5.2dB | <±0.05dB | <±3.0° |
| NAC7161DL1 | NMD1.85mm Female | 1.85mm Male | 63cm | DC~67GHz | 1.40:1(max) | <5.2dB | <±0.05dB | <±3.0° |
| NAC7171AL1 | NMD1.85mm Male | NMD1.85mm Male | 63cm | DC~67GHz | 1.40:1(max) | <5.2dB | <±0.05dB | <±3.0° |
| NAC7161CL1 | NMD1.85mm Male | 1.85mm Female | 63cm | DC~67GHz | 1.40:1(max) | <5.2dB | <±0.05dB | <±3.0° |
| NAC7161AL1 | NMD1.85mm Male | 1.85mm Male | 63cm | DC~67GHz | 1.40:1(max) | <5.2dB | <±0.05dB | <±3.0° |
| NMD2.4mm Series | | | | | | | | |
| P/N | Connector 1 | Connector 2 | Length | Frequency | VSWR | IL | Amplitude Stability | Phase Stability |
| NAC7878BL1 | NMD2.4mm Female | NMD2.4mm Female | 63cm | DC~50GHz | 1.30:1(max) | <3.0dB | <±0.05dB | <±3.0° |
| NAC7868DL1 | NMD2.4mm Female | 2.4mm Male | 63cm | DC~50GHz | 1.30:1(max) | <3.0dB | <±0.05dB | <±3.0° |
| NAC7837BL1 | NMD2.4mm Female | NMD2.92mm Female | 63cm | DC~40GHz | 1.30:1(max) | <2.8dB | <±0.05dB | <±2.5° |
| NAC7867DL1 | NMD2.4mm Female | 2.92mm Male | 63cm | DC~40GHz | 1.30:1(max) | <2.8dB | <±0.05dB | <±2.5° |
| NAC7878AL1 | NMD2.4mm Male | NMD2.4mm Male | 63cm | DC~50GHz | 1.30:1(max) | <3.0dB | <±0.05dB | <±3.0° |
| NAC7868CL1 | NMD2.4mm Male | 2.4mm Female | 63cm | DC~50GHz | 1.30:1(max) | <3.0dB | <±0.05dB | <±3.0° |
| NAC7868AL1 | NMD2.4mm Male | 2.4mm Male | 63cm | DC~50GHz | 1.30:1(max) | <3.0dB | <±0.05dB | <±3.0° |
| NAC7837AL1 | NMD2.4mm Male | NMD2.92mm Male | 63cm | DC~40GHz | 1.30:1(max) | <2.8dB | <±0.05dB | <±2.5° |
| NAC7867CL1 | NMD2.4mm Male | 2.92mm Female | 63cm | DC~40GHz | 1.30:1(max) | <2.8dB | <±0.05dB | <±2.5° |
| NAC7867AL1 | NMD2.4mm Male | 2.92mm Male | 63cm | DC~40GHz | 1.30:1(max) | <2.8dB | <±0.05dB | <±2.5° |
| NMD2.92mm Series | | | | | | | | |
| P/N | Connector 1 | Connector 2 | Length | Frequency | VSWR | IL | Amplitude Stability | Phase Stability |
| NAC3768DL1 | NMD2.92mm Female | 2.4mm Male | 63cm | DC~40GHz | 1.30:1(max) | <2.8dB | <±0.05dB | <±2.5° |
| NAC3737BL1 | NMD2.92mm Female | NMD2.92mm Female | 63cm | DC~40GHz | 1.30:1(max) | <2.8dB | <±0.05dB | <±2.5° |
| NAC3767DL1 | NMD2.92mm Female | 2.92mm Male | 63cm | DC~40GHz | 1.30:1(max) | <2.8dB | <±0.05dB | <±2.5° |
| NAC3768CL1 | NMD2.92mm Male | 2.4mm Female | 63cm | DC~40GHz | 1.30:1(max) | <2.8dB | <±0.05dB | <±2.5° |
| NAC3768AL1 | NMD2.92mm Male | 2.4mm Male | 63cm | DC~40GHz | 1.30:1(max) | <2.8dB | <±0.05dB | <±2.5° |
| NAC3737AL1 | NMD2.92mm Male | NMD2.92mm Male | 63cm | DC~40GHz | 1.30:1(max) | <2.8dB | <±0.05dB | <±2.5° |
| NAC3767CL1 | NMD2.92mm Male | 2.92mm Female | 63cm | DC~40GHz | 1.30:1(max) | <2.8dB | <±0.05dB | <±2.5° |
| NAC3767AL1 | NMD2.92mm Male | 2.92mm Male | 63cm | DC~40GHz | 1.30:1(max) | <2.8dB | <±0.05dB | <±2.5° |
| NMD3.5mm Series | | | | | | | | |
| P/N | Connector 1 | Connector 2 | Length | Frequency | VSWR | IL | Amplitude Stability | Phase Stability |
| NAC7676BL1 | NMD3.5mm Female | NMD3.5mm Female | 63cm | DC~26.5GHz | 1.25:1(max) | <1.8dB | <±0.05dB | <±2.0° |
| NAC7666DL1 | NMD3.5mm Female | 3.5mm Male | 63cm | DC~26.5GHz | 1.25:1(max) | <1.8dB | <±0.05dB | <±2.0° |
| NAC7665BL1 | NMD3.5mm Female | N Female | 63cm | DC~18GHz | 1.20:1(max) | <1.5dB | <±0.05dB | <±1.5° |

| | | | | | | | | |
|------------|-----------------|---------------|------|------------|-------------|--------|----------|--------|
| NAC7665DL1 | NMD3.5mm Female | N Male | 63cm | DC~18GHz | 1.20:1(max) | <1.5dB | <±0.05dB | <±1.5° |
| NAC7635BL1 | NMD3.5mm Female | 7mm Sexless | 63cm | DC~18GHz | 1.20:1(max) | <1.5dB | <±0.05dB | <±1.5° |
| NAC7666CL1 | NMD3.5mm Male | 3.5mm Female | 63cm | DC~26.5GHz | 1.25:1(max) | <1.8dB | <±0.05dB | <±2.0° |
| NAC7666AL1 | NMD3.5mm Male | 3.5mm Male | 63cm | DC~26.5GHz | 1.25:1(max) | <1.8dB | <±0.05dB | <±2.0° |
| NAC7676AL1 | NMD3.5mm Male | NMD3.5mm Male | 63cm | DC~26.5GHz | 1.25:1(max) | <1.8dB | <±0.05dB | <±2.0° |
| NAC7665CL1 | NMD3.5mm Male | N Female | 63cm | DC~18GHz | 1.20:1(max) | <1.5dB | <±0.05dB | <±1.5° |
| NAC7665AL1 | NMD3.5mm Male | N Male | 63cm | DC~18GHz | 1.20:1(max) | <1.5dB | <±0.05dB | <±1.5° |
| NAC7635AL1 | NMD3.5mm Male | 7mm Sexless | 63cm | DC~18GHz | 1.20:1(max) | <1.5dB | <±0.05dB | <±1.5° |

N Type Series

| P/N | Connector 1 | Connector 2 | Length | Frequency | VSWR | IL | Amplitude Stability | Phase Stability |
|------------|-------------|--------------|--------|-----------|-------------|--------|---------------------|-----------------|
| NAC6566BL1 | N Female | 3.5mm Female | 63cm | DC~18GHz | 1.20:1(max) | <1.5dB | <±0.05dB | <±1.5° |
| NAC6566DL1 | N Female | 3.5mm Male | 63cm | DC~18GHz | 1.20:1(max) | <1.5dB | <±0.05dB | <±1.5° |
| NAC6565BL1 | N Female | N Female | 63cm | DC~18GHz | 1.20:1(max) | <1.5dB | <±0.05dB | <±1.5° |
| NAC6535BL1 | N Female | 7mm Sexless | 63cm | DC~18GHz | 1.20:1(max) | <1.5dB | <±0.05dB | <±1.5° |
| NAC6566CL1 | N Male | 3.5mm Female | 63cm | DC~18GHz | 1.20:1(max) | <1.5dB | <±0.05dB | <±1.5° |
| NAC6566AL1 | N Male | 3.5mm Male | 63cm | DC~18GHz | 1.20:1(max) | <1.5dB | <±0.05dB | <±1.5° |
| NAC6535AL1 | N Male | 7mm Sexless | 63cm | DC~18GHz | 1.20:1(max) | <1.5dB | <±0.05dB | <±1.5° |

7mm Series

| P/N | Connector 1 | Connector 2 | Length | Frequency | VSWR | IL | Amplitude Stability | Phase Stability |
|------------|-------------|--------------|--------|-----------|-------------|--------|---------------------|-----------------|
| NAC3566BL1 | 7mm Sexless | 3.5mm Female | 63cm | DC~18GHz | 1.20:1(max) | <1.5dB | <±0.05dB | <±1.5° |
| NAC3566AL1 | 7mm Sexless | 3.5mm Male | 63cm | DC~18GHz | 1.20:1(max) | <1.5dB | <±0.05dB | <±1.5° |

* Available with different lengths upon request.

NBC Series — Economy VNA Test Assemblies



NBC series cable assemblies possess good microwave electrical performance and phase and amplitude stability. The flexible and lighter structure makes the testing more efficient. The patented design provide stable performance in laboratory and production applications.

| Connector Materials | |
|-----------------------|-----------------------------|
| Body | Stainless Steel, Passivated |
| Center Conductor | Au-plated Beryllium Copper |
| Cable Descriptions | |
| Center Conductor | Ag-plated Copper |
| Dielectric | PTFE |
| Outer Conductor | Ag-plated Copper Tape |
| Inner Braid | Ag-plated Copper Braid |
| Outer Jacket | Multilayer armour |
| Environmental data | |
| Operating Temperature | 0°C~+40°C |
| Storage Temperature | -40°C~+75°C |

NBC Series Selection Matrix

| Connector1 Connector2 | NMD2.4mm female | NMD2.92mm female | NMD3.5mm female |
|--------------------------|-----------------|------------------|-----------------|
| 2.4mm | √ | √ | |
| 2.92mm | √ | √ | |
| 3.5mm | | | √ |
| N | | | √ |
| 7mm | | | √ |

NBC Series

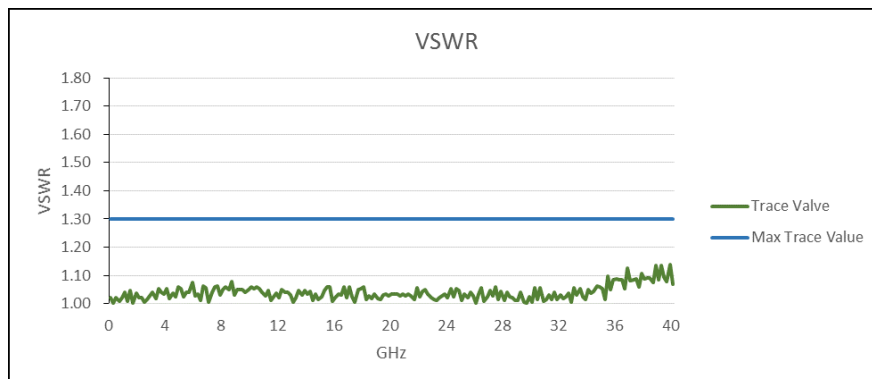
| NMD2.4mm Series | | | | | | | | | | |
|------------------|-------------|--------|-------------|---------|--------|------------|-------------|---------|---------------------|-----------------|
| P/N | Connector 1 | | Connector 2 | | Length | Frequency | VSWR | IL | Amplitude Stability | Phase Stability |
| NBC7868BL1 | NMD2.4mm | Female | 2.4mm | Female | 63cm | DC~50GHz | 1.35:1(max) | <2.65dB | <±0.1dB | <±5.5° |
| NBC7868DL1 | NMD2.4mm | Female | 2.4mm | Male | 63cm | DC~50GHz | 1.35:1(max) | <2.65dB | <±0.1dB | <±5.5° |
| NBC7868BL1-G7 | NMD2.4mm | Female | 2.4mm | Female | 63cm | DC~40GHz | 1.30:1(max) | <1.98dB | <±0.1dB | <±4.5° |
| NBC7868DL1-G7 | NMD2.4mm | Female | 2.4mm | Male | 63cm | DC~40GHz | 1.30:1(max) | <1.98dB | <±0.1dB | <±4.5° |
| NBC7867BL1 | NMD2.4mm | Female | 2.92mm | Female | 63cm | DC~40GHz | 1.30:1(max) | <1.98dB | <±0.1dB | <±4.5° |
| NBC7867DL1 | NMD2.4mm | Female | 2.92mm | Male | 63cm | DC~40GHz | 1.30:1(max) | <1.98dB | <±0.1dB | <±4.5° |
| NMD2.92mm Series | | | | | | | | | | |
| P/N | Connector 1 | | Connector 2 | | Length | Frequency | VSWR | IL | Amplitude Stability | Phase Stability |
| NBC3768BL1 | NDM2.92mm | Female | 2.4mm | Female | 63cm | DC~40GHz | 1.30:1(max) | <1.98dB | <±0.1dB | <±4.5° |
| NBC3768DL1 | NDM2.92mm | Female | 2.4mm | Male | 63cm | DC~40GHz | 1.30:1(max) | <1.98dB | <±0.1dB | <±4.5° |
| NBC3767BL1 | NDM2.92mm | Female | 2.92mm | Female | 63cm | DC~40GHz | 1.30:1(max) | <1.98dB | <±0.1dB | <±4.5° |
| NBC3767DL1 | NDM2.92mm | Female | 2.92mm | Male | 63cm | DC~40GHz | 1.30:1(max) | <1.98dB | <±0.1dB | <±4.5° |
| NMD3.5mm Series | | | | | | | | | | |
| P/N | Connector 1 | | Connector 2 | | Length | Frequency | VSWR | IL | Amplitude Stability | Phase Stability |
| NBC7666BL1 | NMD3.5mm | Female | 3.5mm | Female | 63cm | DC~26.5GHz | 1.25:1(max) | <0.9dB | <±0.1dB | <±4° |
| NBC7666DL1 | NMD3.5mm | Female | 3.5mm | Male | 63cm | DC~26.5GHz | 1.25:1(max) | <0.9dB | <±0.1dB | <±4° |
| NBC7665BL1 | NMD3.5mm | Female | N | Female | 63cm | DC~18GHz | 1.20:1(max) | <0.9dB | <±0.1dB | <±3.5° |
| NBC7665DL1 | NMD3.5mm | Female | N | Male | 63cm | DC~18GHz | 1.20:1(max) | <0.9dB | <±0.1dB | <±3.5° |
| NBC7635BL1 | NMD3.5mm | Female | 7mm | Sexless | 63cm | DC~18GHz | 1.20:1(max) | <0.9dB | <±0.1dB | <±3.5° |

* Available with different lengths upon request.

Low Loss Flexible Cable Assemblies



Arance's CAF series low loss flexible cable assemblies are unarmored. It is used for any high frequency signal transmission between systems or instruments where low loss and stability are critical. CAF series is available with a wide range of connectors offering excellent specifications. The unique small cable connectors are designed for end users who need high performance in a very small space. CAF series is also available with phase matching and armoring upon request.



* 60cm cable assembly

CAF Series—Low Loss Flexible Cable Assemblies



| Connector Materials | |
|-----------------------|---|
| Body | Stainless Steel, Passivated / Au-plated Brass |
| Center Conductor | Au-plated Beryllium Copper |
| Environmental data | |
| Operating Temperature | -55°C~+125°C |

| Cable Descriptions | |
|--------------------|------------------------|
| Center Conductor | Ag-plated Cu |
| Dielectric | PTFE |
| Outer Conductor | Outer Conductor |
| Inner Braid | Ag-plated Copper Braid |
| Outer Jacket | PFA / FEP |

CAF Series Selection Matrix

| Cable Type | G6 | G0 | G7 | G9 | G4 | J6 | J7 | J9 | J4 |
|--------------------------|--------------------------|-----|-----|-------|-----|-----|-----|-------|-----|
| Frequency (GHz) | ≤70 | ≤50 | ≤40 | ≤26.5 | ≤18 | ≤67 | ≤40 | ≤26.5 | ≤18 |
| Outer Dia.(mm) | 2.2 | 3.1 | 3.6 | 4.8 | 7.4 | 2.2 | 3.6 | 5.1 | 7.4 |
| Connectors | TNC | | | • | | | | • | |
| | TNCA | | | • | | | | • | |
| | 7mm | | | • | | | | • | |
| | N | | | • | • | | | • | • |
| | SMA | | | • | • | • | | • | • |
| | SMA (short connector) | • | | • | | | • | • | |
| | SMP(GPO) | • | | | | | • | | |
| | SMPM (mini-SMP / GPPO) | • | | | | | • | | |
| | 3.5mm | | | | • | | | | • |
| | 2.92mm | | | • | | | | • | |
| | 2.92mm (short connector) | • | | | | | • | | |
| | 2.4mm | | • | • | | | | • | |
| | 2.4mm (short connector) | • | • | | | | • | | |
| | 1.85mm | • | | | | | • | | |
| 1.85mm (short connector) | • | | | | | • | | | |

Armour Options

| | |
|--|---|
|  |  |
| Armour Code : AS Monolayer Armour | Armour Code : RU Multilayer Armour |
| <p>AS series is the cable installed within a stainless steel interlocked armor in order to provide crush and pull forces resistance. It is used in production environments and outdoor applications.</p> | <p>RU series is more flexible while resists crush and pull forces. It is used in precision test applications where request phase and amplitude stability.</p> |

Semi-rigid & Semi-flexible Cable Assemblies



CSR Series—Semi-rigid Cable Assemblies

Arance’s CSR series semi-rigid cable assemblies are bent to the high level of precision. The cable assemblies are used for high reliable microwave interconnection between internal modules. CSR series is capable of frequency up to 60GHz. The VSWR is <1.25 up to 40GHz. Phase matching is available upon request.



CSF Series—Semi-flexible Cable Assemblies

Arance’s CSF series cable assemblies can be hand formed in-place. The cable assemblies are used for high reliable cabinet interconnects. CSR series is convenient and efficient. Phase matching is available upon request.

| Cable Construction | |
|--------------------|--|
| Center Conductor | Ag-plated Cu |
| Dielectric | PTFE |
| Outer Conductor | Sn-plated Copper/ Albaloy-plated Copper |

| Cable Construction | |
|--------------------|-------------------------|
| Center Conductor | Ag-plated Cu |
| Dielectric | PTFE |
| Outer Conductor | Tin Soaked Copper Braid |

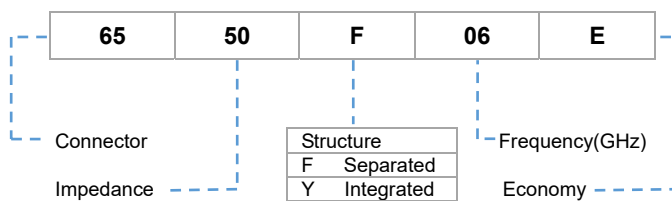
Semi-rigid & Semi-flexible Cable Assemblies Series Selection Matrix

| Cable Type | | Semi-rigid Cable | | | Semi-flexible Cable | | |
|--------------------------|------------------------|------------------|-----|-----|---------------------|-----|-----|
| | | 047 | 086 | 141 | 047 | 086 | 141 |
| Outer Dia.(mm) | | 1.2 | 2.2 | 3.6 | 1.2 | 2.2 | 3.6 |
| Minimum Bend Radius (mm) | | 4 | 7 | 10 | 6 | 8 | 12 |
| Connectors | SMP (GPO) | | • | | | • | |
| | SMPM (mini-SMP / GPPO) | | • | | | • | |
| | SMA | • | • | • | • | • | • |
| | N | | | • | | | • |
| | 2.92mm | | • | | | • | |
| | 2.4mm | | • | | | • | |
| | 1.85mm | | • | | | • | |

Mechanical Calibration Kits

Mechanical Calibration Kit is a set of accurate short-open-load (SOL) and precision adapters to characterize systematic errors. To ensure the calibration effectiveness, a higher calibration standard is used to verify the performance before delivery. The stainless steel bodies and Au-plated Beryllium copper center conductors make the service life extended to more than 2000 times. Our calibration kits are used for the devices equipped with type N and 3.5mm connectors and are capable of the frequency from DC to 26.5GHz at present. More high frequency calibration kits with popular connectors are in development.

Part Numbering



Type N Calibration Kits



Precision Calibration Kits

6550F06 (50Ω 6GHz)
 6550F09 (50Ω 9GHz)
 6550F18 (50Ω 18GHz)



Economy Calibration Kits

6550F03E (50Ω 3GHz)
 6550F06E (50Ω 6GHz)



3-in-1 OSL mechanical calibration Kits

6550Y04 (50Ω 4GHz)
 6550Y06 (50Ω 6GHz)
 6550Y09 (50Ω 9GHz)

| Mechanical Data | |
|----------------------|-------------|
| Mating Cycles | >2000 times |
| Coupling Torque | 1.35Nm |
| Open-End Wrench Size | 19mm |

| Environmental Data | |
|-----------------------|--------------|
| Operating Temperature | +15°C~ +35°C |
| Storage Temperature | -40°C~ +75°C |

Devices

| P/N | Frequency | Single Sex P/N | Devices | Device Model | Specifications |
|----------|-----------|---------------------|----------------------------------|--------------|--|
| 6550F06 | DC~6GHz | 6550F06-M (Male) | Open | 6550F06-KM | Phase Deviation $\leq\pm 0.6^\circ$ |
| | | | Short | 6550F06-DM | Phase Deviation $\leq\pm 0.6^\circ$ |
| | | | Load | 6550F06-LM | VSWR ≤ 1.025 |
| | | 6550F06-F (Female) | Open | 6550F06-KF | Phase Deviation $\leq\pm 0.6^\circ$ |
| | | | Short | 6550F06-DF | Phase Deviation $\leq\pm 0.6^\circ$ |
| | | | Load | 6550F06-LF | VSWR ≤ 1.025 |
| 6550F09 | DC~9GHz | 6550F09-M (Male) | Open | 6550F09-KM | Phase Deviation $\leq\pm 0.8^\circ$ |
| | | | Short | 6550F09-DM | Phase Deviation $\leq\pm 0.8^\circ$ |
| | | | Load | 6550F09-LM | VSWR ≤ 1.032 |
| | | 6550F09-F (Female) | Open | 6550F09-KF | Phase Deviation $\leq\pm 0.8^\circ$ |
| | | | Short | 6550F09-DF | Phase Deviation $\leq\pm 0.8^\circ$ |
| | | | Load | 6550F09-LF | VSWR ≤ 1.032 |
| 6550F18 | DC~18GHz | 6550F18-M (Male) | Open | 6550F18-KM | Phase Deviation $\leq\pm 1^\circ$ |
| | | | Short | 6550F18-DM | Phase Deviation $\leq\pm 1^\circ$ |
| | | | Load | 6550F18-LM | VSWR ≤ 1.048 |
| | | 6550F18-F (Female) | Open | 6550F18-KF | Phase Deviation $\leq\pm 1^\circ$ |
| | | | Short | 6550F18-DF | Phase Deviation $\leq\pm 1^\circ$ |
| | | | Load | 6550F18-LF | VSWR ≤ 1.048 |
| 6550F03E | DC~3GHz | 6550F03E-M (Male) | Open | 6550F03E-KM | Phase Deviation $\leq\pm 0.8^\circ$ |
| | | | Short | 6550F03E-DM | Phase Deviation $\leq\pm 0.8^\circ$ |
| | | | Load | 6550F03E-LM | VSWR ≤ 1.02 |
| | | 6550F03E-F (Female) | Open | 6550F03E-KF | Phase Deviation $\leq\pm 0.8^\circ$ |
| | | | Short | 6550F03E-DF | Phase Deviation $\leq\pm 0.8^\circ$ |
| | | | Load | 6550F03E-LF | VSWR ≤ 1.02 |
| 6550F06E | DC~6GHz | 6550F06E-M (Male) | Open | 6550F06E-KM | Phase Deviation $\leq\pm 1^\circ$ |
| | | | Short | 6550F06E-DM | Phase Deviation $\leq\pm 1^\circ$ |
| | | | Load | 6550F06E-LM | VSWR ≤ 1.035 |
| | | 6550F06E-F (Female) | Open | 6550F06E-KF | Phase Deviation $\leq\pm 1^\circ$ |
| | | | Short | 6550F06E-DF | Phase Deviation $\leq\pm 1^\circ$ |
| | | | Load | 6550F06E-LF | VSWR ≤ 1.035 |
| 6550Y04 | DC~4GHz | 6550Y04-M (Male) | Integration of Open, Short, Load | | Open: Phase Deviation $\leq\pm 0.6^\circ$ Short: Phase Deviation $\leq\pm 0.6^\circ$ Load: VSWR ≤ 1.025 |
| | | 6550Y04-F (Female) | Integration of Open, Short, Load | | Open: Phase Deviation $\leq\pm 0.6^\circ$ Short: Phase Deviation $\leq\pm 0.6^\circ$ Load: VSWR ≤ 1.025 |
| 6550Y06 | DC~6GHz | 6550Y06-M (Male) | Integration of Open, Short, Load | | Open: Phase Deviation $\leq\pm 0.6^\circ$ Short: Phase Deviation $\leq\pm 0.6^\circ$ Load: VSWR ≤ 1.032 |
| | | 6550Y06-F (Female) | Integration of Open, Short, Load | | Open: Phase Deviation $\leq\pm 0.6^\circ$ Short: Phase Deviation $\leq\pm 0.6^\circ$ Load: VSWR ≤ 1.032 |
| 6550Y09 | DC~9GHz | 6550Y09-M (Male) | Integration of Open, Short, Load | | Open: Phase Deviation $\leq\pm 0.8^\circ$ Short: Phase Deviation $\leq\pm 0.8^\circ$ Load: VSWR ≤ 1.032 |
| | | 6550Y09-F (Female) | Integration of Open, Short, Load | | Open: Phase Deviation $\leq\pm 0.8^\circ$ Short: Phase Deviation $\leq\pm 0.8^\circ$ Load: VSWR ≤ 1.032 |

Optional Adapters and Torque Wrench

| Classification | P/N | Connector 1 | Connector 2 | Specifications |
|-------------------|------------|---------------------------|-------------|--|
| Adapters Series 1 | MA6565A | N Male | N Male | DC~9GHz VSWR \leq 1.06 9~18GHz VSWR \leq 1.1 |
| | MA6565B | N Female | N Female | |
| | MA6565C | N Male | N Female | |
| | MA6535A | N Male | 7mm Sexless | |
| | MA6535B | N Female | 7mm Sexless | |
| Adapters Series 2 | MA6565A-11 | N Male | N Male | DC~18GHz VSWR \leq 1.06 |
| | MA6565B-11 | N Female | N Female | |
| | MA6565C-11 | N Male | N Female | |
| | MA6535A-11 | N Male | 7mm Sexless | |
| | MA6535B-11 | N Female | 7mm Sexless | |
| Adapters Series 3 | MA6565A-31 | N Male | N Male | DC~3GHz VSWR \leq 1.03 3~6GHz VSWR \leq 1.05 3~9GHz VSWR \leq 1.08 |
| | MA6565B-31 | N Female | N Female | |
| | MA6565C-31 | N Male | N Female | |
| Torque Wrench | B19T135 | Open-end wrench size 19mm | | 1.35Nm |

L16 Calibration Kit



Precision Calibration Kit

5650F09(50Ω 9GHz)

| Mechanical Data | |
|----------------------|-------------|
| Mating Cycles | >2000 times |
| Coupling Torque | 1.35Nm |
| Open-End Wrench Size | 19mm |

| Environmental Data | |
|-----------------------|--------------|
| Operating Temperature | +15°C~ +35°C |
| Storage Temperature | -40°C~ +75°C |

Devices

| P/N | Frequency | Single Sex P/N | Devices | Device Model | Specifications |
|---------|-----------|--------------------|---------|--------------|-------------------------------------|
| 5650F09 | DC~9GHz | 5650F09-M (Male) | Open | 5650F09-KM | Phase Deviation $\leq\pm 0.8^\circ$ |
| | | | Short | 5650F09-DM | Phase Deviation $\leq\pm 0.8^\circ$ |
| | | | Load | 5650F09-LM | VSWR ≤ 1.032 |
| | | 5650F09-F (Female) | Open | 5650F09-KF | Phase Deviation $\leq\pm 0.8^\circ$ |
| | | | Short | 5650F09-DF | Phase Deviation $\leq\pm 0.8^\circ$ |
| | | | Load | 5650F09-LF | VSWR ≤ 1.032 |

Optional Adapters and Torque Wrench

| Classification | P/N | Connector 1 | Connector 2 | Specifications |
|----------------|---------|---------------------------|-------------|--------------------------|
| Adapters | MA5656A | L16 Male | L16 Male | DC~9GHz VSWR ≤ 1.06 |
| | MA5656B | L16 Female | L16 Female | |
| | MA5656C | L16 Male | L16 Female | |
| | MA5635A | L16 Male | 7mm Sexless | |
| | MA5635B | L16 Female | 7mm Sexless | |
| Torque Wrench | B19T135 | Open-end wrench size 19mm | | 1.35Nm |

3.5mm Calibration Kits



Precision Calibration Kits

6650F06 (50Ω 6GHz)
 6650F09 (50Ω 9GHz)
 6650F27 (50Ω 26.5GHz)

| Mechanical Data | |
|----------------------|---------|
| Mating Cycles | >2000 次 |
| Coupling Torque | 0.9Nm |
| Open-End Wrench Size | 8mm |



Economy Calibration Kits

6650F03E (50Ω 3GHz)
 6650F06E (50Ω 6GHz)

| Environmental Data | |
|-----------------------|--------------|
| Operating Temperature | +15°C~ +35°C |
| Storage Temperature | -40°C~ +75°C |

Devices

| P/N | Frequency | Single Sex P/N | Devices | Device Model | Specifications |
|----------|------------|---------------------|---------|--------------|---|
| 6650F06 | DC~6GHz | 6650F06-M (Male) | Open | 6650F06-KM | Phase Deviation $\leq\pm 0.6^\circ$ |
| | | | Short | 6650F06-DM | Phase Deviation $\leq\pm 0.6^\circ$ |
| | | | Load | 6650F06-LM | VSWR ≤ 1.025 |
| | | 6650F06-F (Female) | Open | 6650F06-KF | Phase Deviation $\leq\pm 0.6^\circ$ |
| | | | Short | 6650F06-DF | Phase Deviation $\leq\pm 0.6^\circ$ |
| | | | Load | 6650F06-LF | VSWR ≤ 1.025 |
| 6650F09 | DC~9GHz | 6650F09-M (Male) | Open | 6650F09-KM | Phase Deviation $\leq\pm 0.8^\circ$ |
| | | | Short | 6650F09-DM | Phase Deviation $\leq\pm 0.8^\circ$ |
| | | | Load | 6650F09-LM | VSWR ≤ 1.032 |
| | | 6650F09-F (Female) | Open | 6650F09-KF | Phase Deviation $\leq\pm 0.8^\circ$ |
| | | | Short | 6650F09-DF | Phase Deviation $\leq\pm 0.8^\circ$ |
| | | | Load | 6650F09-LF | VSWR ≤ 1.032 |
| 6650F27 | DC~26.5GHz | 6650F27-M (Male) | Open | 6650F27-KM | Phase Deviation $\leq\pm 1.5^\circ$ |
| | | | Short | 6650F27-DM | Phase Deviation $\leq\pm 1.5^\circ$ |
| | | | Load | 6650F27-LM | VSWR ≤ 1.055 |
| | | 6650F27-F (Female) | Open | 6650F27-KF | Phase Deviation $\leq\pm 1.5^\circ$ |
| | | | Short | 6650F27-DF | Phase Deviation $\leq\pm 1.5^\circ$ |
| | | | Load | 6650F27-LF | VSWR ≤ 1.055 |
| 6650F03E | DC~3GHz | 6650F03E-M (Male) | Open | 6650F06E-KM | Phase Deviation $\leq\pm 0.8^\circ @ 3\text{GHz}$ |
| | | | Short | 6650F06E-DM | Phase Deviation $\leq\pm 0.8^\circ @ 3\text{GHz}$ |
| | | | Load | 6650F03E-LM | VSWR ≤ 1.025 |
| | | 6650F03E-F (Female) | Open | 6650F06E-KF | Phase Deviation $\leq\pm 0.8^\circ @ 3\text{GHz}$ |
| | | | Short | 6650F06E-DF | Phase Deviation $\leq\pm 0.8^\circ @ 3\text{GHz}$ |
| | | | Load | 6650F03E-LF | VSWR ≤ 1.025 |
| 6650F06E | DC~6GHz | 6650F06E-M (Male) | Open | 6650F06E-KM | Phase Deviation $\leq\pm 1^\circ$ |
| | | | Short | 6650F06E-DM | Phase Deviation $\leq\pm 1^\circ$ |
| | | | Load | 6650F06E-LM | VSWR ≤ 1.035 |
| | | 6650F06E-F (Female) | Open | 6650F06E-KF | Phase Deviation $\leq\pm 1^\circ$ |
| | | | Short | 6650F06E-DF | Phase Deviation $\leq\pm 1^\circ$ |
| | | | Load | 6650F06E-LF | VSWR ≤ 1.035 |

Optional Adapters and Torque Wrench

| Classification | P/N | Connector 1 | Connector 2 | Specifications |
|-------------------|------------|--------------------------|--------------|---|
| Adapters Series 1 | MA6666A | 3.5mm Male | 3.5mm Male | DC~6GHz VSWR≤1.04 6~9GHz VSWR≤1.06 9~26.5GHz VSWR≤1.1 |
| | MA6666B | 3.5mm Female | 3.5mm Female | |
| | MA6666C | 3.5mm Male | 3.5mm Female | |
| | MA6665A | 3.5mm Male | N Male | DC~6GHz VSWR≤1.04 6~9GHz VSWR≤1.06 9~18GHz VSWR≤1.1 |
| | MA6665B | 3.5mm Female | N Female | |
| | MA6665C | 3.5mm Male | N Female | |
| | MA6665D | 3.5mm Female | N Male | |
| Adapters Series 2 | MA6666A-11 | 3.5mm Male | 3.5mm Male | DC~26.5GHz VSWR≤1.06 |
| | MA6666B-11 | 3.5mm Female | 3.5mm Female | |
| | MA6666C-11 | 3.5mm Male | 3.5mm Female | |
| | MA6665A-11 | 3.5mm Male | N Male | DC~18GHz VSWR≤1.05 |
| | MA6665B-11 | 3.5mm Female | N Female | |
| | MA6665C-11 | 3.5mm Male | N Female | |
| | MA6665D-11 | 3.5mm Female | N Male | |
| Torque Wrench | B08T090 | Open-end wrench size 8mm | | 0.9Nm |

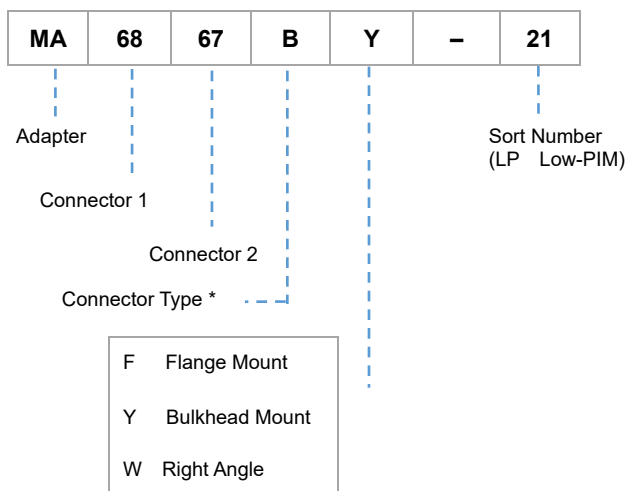
RF Coaxial Adapters

Arance's coaxial adapters contains both normal connector type and NMD connector type. We positions in test level adapters with precision interface dimension and low VSWR. The frequency can operate up to 67GHz

Our coaxial adapters are classified into the following categories.

- **NMD Test Port Adapters**
- **Precision Coaxial Adapters**
- **Low-PIM Adapters**

Part Numbering



*Connector Type

| Code | Connector Type |
|------|------------------|
| A | Male to Male |
| B | Female to Female |
| C | Male to Female |
| D | Female to Male |
| M | Male |
| F | Female |

NMD Test Port Adapters



NMD Test Port Adapters Selection Matrix

| Connector2 \ Connector1 | NMD1.85mm | NMD2.4mm | NMD2.92mm | NMD3.5mm |
|-------------------------|-----------|----------|-----------|----------|
| NMD1.85mm | √ | | | |
| NMD2.4mm | √ | √ | | |
| NMD2.92mm | √ | √ | √ | |
| NMD3.5mm | | √ | √ | √ |
| 1.85mm | √ | √ | √ | |
| 2.4mm | √ | √ | √ | √ |
| 2.92mm | √ | √ | √ | √ |
| 3.5mm | | √ | √ | √ |
| N | | | | √ |
| 7mm | | | | √ |

NMD Test Port Adapters

| NMD1.85mm | | | | |
|------------------|--------------------|--------------------|------------------|-------------|
| P/N | Connector 1 | Connector 2 | Frequency | VSWR |
| MA7171B | NMD1.85mm Female | NMD1.85mm Female | DC~67GHz | 1.35:1(max) |
| MA7171D | NMD1.85mm Female | NMD1.85mm Male | DC~67GHz | 1.35:1(max) |
| MA7178D | NMD1.85mm Female | NMD2.4mm Male | DC~50GHz | 1.25:1(max) |
| MA7137D | NMD1.85mm Female | NMD2.92mm Male | DC~40GHz | 1.20:1(max) |
| MA7161B | NMD1.85mm Female | 1.85mm Female | DC~67GHz | 1.35:1(max) |
| MA7161D | NMD1.85mm Female | 1.85mm Male | DC~67GHz | 1.35:1(max) |
| MA7168B | NMD1.85mm Female | 2.4mm Female | DC~50GHz | 1.25:1(max) |
| MA7168D | NMD1.85mm Female | 2.4mm Male | DC~50GHz | 1.25:1(max) |
| MA7167D | NMD1.85mm Female | 2.92mm Male | DC~40GHz | 1.20:1(max) |
| MA7161C | NMD1.85mm Male | 1.85mm Female | DC~67GHz | 1.35:1(max) |
| NMD2.4mm | | | | |
| P/N | Connector 1 | Connector 2 | Frequency | VSWR |
| MA7878B | NMD2.4mm Female | NMD2.4mm Female | DC~50GHz | 1.25:1(max) |
| MA7878D | NMD2.4mm Female | NMD2.4mm Male | DC~50GHz | 1.25:1(max) |
| MA7837B | NMD2.4mm Female | NMD2.92mm Female | DC~40GHz | 1.20:1(max) |
| MA7837D | NMD2.4mm Female | NMD2.92mm Male | DC~40GHz | 1.20:1(max) |
| MA7876B | NMD2.4mm Female | NMD3.5mm Female | DC~26.5GHz | 1.15:1(max) |
| MA7876D | NMD2.4mm Female | NMD3.5mm Male | DC~26.5GHz | 1.15:1(max) |
| MA7868B | NMD2.4mm Female | 2.4mm Female | DC~50GHz | 1.25:1(max) |
| MA7868D | NMD2.4mm Female | 2.4mm Male | DC~50GHz | 1.25:1(max) |
| MA7867B | NMD2.4mm Female | 2.92mm Female | DC~40GHz | 1.20:1(max) |
| MA7867D | NMD2.4mm Female | 2.92mm Male | DC~40GHz | 1.20:1(max) |
| MA7866B | NMD2.4mm Female | 3.5mm Female | DC~26.5GHz | 1.15:1(max) |
| MA7866D | NMD2.4mm Female | 3.5mm Male | DC~26.5GHz | 1.15:1(max) |
| MA7861C | NMD2.4mm Male | 1.85mm Female | DC~50GHz | 1.25:1(max) |
| MA7868C | NMD2.4mm Male | 2.4mm Female | DC~50GHz | 1.25:1(max) |
| NMD2.92mm | | | | |
| P/N | Connector 1 | Connector 2 | Frequency | VSWR |
| MA3737B | NMD2.92mm Female | NMD2.92mm Female | DC~40GHz | 1.20:1(max) |
| MA3737D | NMD2.92mm Female | NMD2.92mm Male | DC~40GHz | 1.20:1(max) |
| MA3776B | NMD2.92mm Female | NMD3.5mm Female | DC~26.5GHz | 1.15:1(max) |
| MA3776D | NMD2.92mm Female | NMD3.5mm Male | DC~26.5GHz | 1.15:1(max) |
| MA3768B | NMD2.92mm Female | 2.4mm Female | DC~40GHz | 1.20:1(max) |
| MA3768D | NMD2.92mm Female | 2.4mm Male | DC~40GHz | 1.20:1(max) |
| MA3767B | NMD2.92mm Female | 2.92mm Female | DC~40GHz | 1.20:1(max) |
| MA3767D | NMD2.92mm Female | 2.92mm Male | DC~40GHz | 1.20:1(max) |
| MA3767B-11 | NMD2.92mm Female | 2.92mm Female | DC~40GHz | 1.20:1(max) |
| MA3767D-11 | NMD2.92mm Female | 2.92mm Male | DC~40GHz | 1.20:1(max) |
| MA3766B | NMD2.92mm Female | 3.5mm Female | DC~26.5GHz | 1.15:1(max) |
| MA3766D | NMD2.92mm Female | 3.5mm Male | DC~26.5GHz | 1.15:1(max) |

| | | | | |
|-----------------|--------------------|--------------------|------------------|-------------|
| MA3766B-11 | NMD2.92mm Female | 3.5mm Female | DC~26.5GHz | 1.15:1(max) |
| MA3766D-11 | NMD2.92mm Female | 3.5mm Male | DC~26.5GHz | 1.15:1(max) |
| MA3761C | NMD2.92mm Male | 1.85mm Female | DC~40GHz | 1.20:1(max) |
| MA3768C | NMD2.92mm Male | 2.4mm Female | DC~40GHz | 1.20:1(max) |
| NMD3.5mm | | | | |
| P/N | Connector 1 | Connector 2 | Frequency | VSWR |
| MA7676B | NMD3.5mm Female | NMD3.5mm Female | DC~26.5GHz | 1.15:1(max) |
| MA7676D | NMD3.5mm Female | NMD3.5mm Male | DC~26.5GHz | 1.15:1(max) |
| MA7668B | NMD3.5mm Female | 2.4mm Female | DC~26.5GHz | 1.15:1(max) |
| MA7667B | NMD3.5mm Female | 2.92mm Female | DC~26.5GHz | 1.15:1(max) |
| MA7667B-11 | NMD3.5mm Female | 2.92mm Female | DC~26.5GHz | 1.15:1(max) |
| MA7666B | NMD3.5mm Female | 3.5mm Female | DC~26.5GHz | 1.15:1(max) |
| MA7666D | NMD3.5mm Female | 3.5mm Male | DC~26.5GHz | 1.15:1(max) |
| MA7666B-11 | NMD3.5mm Female | 3.5mm Female | DC~26.5GHz | 1.15:1(max) |
| MA7666D-11 | NMD3.5mm Female | 3.5mm Male | DC~26.5GHz | 1.15:1(max) |
| MA7665B | NMD3.5mm Female | N Female | DC~18GHz | 1.15:1(max) |
| MA7665D | NMD3.5mm Female | N Male | DC~18GHz | 1.15:1(max) |
| MA7635B | NMD3.5mm Female | 7mm Sexless | DC~18GHz | 1.10:1(max) |
| MA7668C | NMD3.5mm Male | 2.4mm Female | DC~26.5GHz | 1.15:1(max) |
| MA7667C | NMD3.5mm Male | 2.92mm Female | DC~26.5GHz | 1.15:1(max) |
| MA7635A | NMD3.5mm Male | 7mm Sexless | DC~18GHz | 1.10:1(max) |

Precision Coaxial Adapters

| 1.85mm Adapters | | | | | | |
|-----------------|------------------------|------------------------|-------------------------------|------------|-------------|--|
| P/N | Connector 1 | Connector 2 | Description | Frequency | VSWR | |
| MA6161B-21 | 1.85mm Female | 1.85mm Female | Straight | DC~65GHz | 1.25:1(max) | |
| MA6161BY-21 | 1.85mm Female | 1.85mm Female | Straight, Bulkhead Mount | DC~65GHz | 1.25:1(max) | |
| MA6163B-11 | 1.85mm Female | SMPM Female | Straight | DC~65GHz | 1.35:1(max) | |
| MA6163D-11 | 1.85mm Female | SMPM Male(Full Detent) | Straight | DC~65GHz | 1.35:1(max) | |
| MA6163D-13 | 1.85mm Female | SMPM Male(Smooth Bore) | Straight | DC~65GHz | 1.35:1(max) | |
| MA6168B-21 | 1.85mm Female | 2.4mm Female | Straight | DC~50GHz | 1.25:1(max) | |
| MA6168D-21 | 1.85mm Female | 2.4mm Male | Straight | DC~50GHz | 1.25:1(max) | |
| MA6167B-21 | 1.85mm Female | 2.92mm Female | Straight | DC~40GHz | 1.20:1(max) | |
| MA6167D-21 | 1.85mm Female | 2.92mm Male | Straight | DC~40GHz | 1.15:1(max) | |
| MA6166B-21 | 1.85mm Female | 3.5mm Female | Straight | DC~26.5GHz | 1.15:1(max) | |
| MA6166D-21 | 1.85mm Female | 3.5mm Male | Straight | DC~26.5GHz | 1.15:1(max) | |
| MA6161C-21 | 1.85mm Male | 1.85mm Female | Straight | DC~65GHz | 1.25:1(max) | |
| MA6161CY-21 | 1.85mm Male | 1.85mm Female | Straight, Bulkhead Mount | DC~65GHz | 1.25:1(max) | |
| MA6161A-21 | 1.85mm Male | 1.85mm Male | Straight | DC~65GHz | 1.25:1(max) | |
| MA6163C-11 | 1.85mm Male | SMPM Female | Straight | DC~65GHz | 1.35:1(max) | |
| MA6163A-11 | 1.85mm Male | SMPM Male(Full Detent) | Straight | DC~65GHz | 1.35:1(max) | |
| MA6163A-13 | 1.85mm Male | SMPM Male(Smooth Bore) | Straight | DC~65GHz | 1.35:1(max) | |
| MA6168C-21 | 1.85mm Male | 2.4mm Female | Straight | DC~50GHz | 1.25:1(max) | |
| MA6168A-21 | 1.85mm Male | 2.4mm Male | Straight | DC~50GHz | 1.25:1(max) | |
| MA6167C-21 | 1.85mm Male | 2.92mm Female | Straight | DC~40GHz | 1.15:1(max) | |
| MA6167A-21 | 1.85mm Male | 2.92mm Male | Straight | DC~40GHz | 1.15:1(max) | |
| MA6166C-21 | 1.85mm Male | 3.5mm Female | Straight | DC~26.5GHz | 1.15:1(max) | |
| MA6166A-21 | 1.85mm Male | 3.5mm Male | Straight | DC~26.5GHz | 1.15:1(max) | |
| SMPM Adapters | | | | | | |
| P/N | Connector 1 | Connector 2 | Description | Frequency | VSWR | |
| MA6368B-11 | SMPM Female | 2.4mm Female | Straight | DC~50GHz | 1.30:1(max) | |
| MA6368D-11 | SMPM Female | 2.4mm Male | Straight | DC~50GHz | 1.30:1(max) | |
| MA6367B11 | SMPM Female | 2.92mm Female | Straight | DC~40GHz | 1.25:1(max) | |
| MA6367D-11 | SMPM Female | 2.92mm Male | Straight | DC~40GHz | 1.25:1(max) | |
| MA6369B11 | SMPM Female | SMA Female | Straight | DC~26.5GHz | 1.20:1(max) | |
| MA6369D-11 | SMPM Female | SMA Male | Straight | DC~26.5GHz | 1.20:1(max) | |
| MA6368C-11 | SMPM Male(Full Detent) | 2.4mm Female | Straight | DC~50GHz | 1.30:1(max) | |
| MA6368A-11 | SMPM Male(Full Detent) | 2.4mm Male | Straight | DC~50GHz | 1.30:1(max) | |
| MA6367C-11 | SMPM Male(Full Detent) | 2.92mm Female | Straight | DC~40GHz | 1.25:1(max) | |
| MA6367A-11 | SMPM Male(Full Detent) | 2.92mm Male | Straight | DC~40GHz | 1.25:1(max) | |
| MA6369C-11 | SMPM Male(Full Detent) | SMA Female | Straight | DC~26.5GHz | 1.20:1(max) | |
| MA6369A-11 | SMPM Male(Full Detent) | SMA Male | Straight | DC~26.5GHz | 1.20:1(max) | |
| MA6368C-13 | SMPM Male(Smooth Bore) | 2.4mm Female | Straight | DC~50GHz | 1.30:1(max) | |
| MA6368A-13 | SMPM Male(Smooth Bore) | 2.4mm Male | Straight | DC~50GHz | 1.30:1(max) | |
| MA6367C-13 | SMPM Male(Smooth Bore) | 2.92mm Female | Straight | DC~40GHz | 1.25:1(max) | |
| MA6367A-13 | SMPM Male(Smooth Bore) | 2.92mm Male | Straight | DC~40GHz | 1.25:1(max) | |
| MA6369C-13 | SMPM Male(Smooth Bore) | SMA Female | Straight | DC~26.5GHz | 1.20:1(max) | |
| MA6369A-13 | SMPM Male(Smooth Bore) | SMA Male | Straight | DC~26.5GHz | 1.20:1(max) | |
| 2.4mm Adapters | | | | | | |
| P/N | Connector 1 | Connector 2 | Description | Frequency | VSWR | |
| MA6868B-21 | 2.4mm Female | 2.4mm Female | Straight | DC~50GHz | 1.20:1(max) | |
| MA6868BF01-21 | 2.4mm Female | 2.4mm Female | Straight, 4 Hole Flange Mount | DC~50GHz | 1.20:1(max) | |
| MA6868BY-21 | 2.4mm Female | 2.4mm Female | Straight, Bulkhead Mount | DC~50GHz | 1.20:1(max) | |
| MA6867B-21 | 2.4mm Female | 2.92mm Female | Straight | DC~40GHz | 1.20:1(max) | |
| MA6867D-21 | 2.4mm Female | 2.92mm Male | Straight | DC~40GHz | 1.15:1(max) | |
| MA6867BF01-21 | 2.4mm Female | 2.92mm Female | Straight, 4 Hole Flange Mount | DC~40GHz | 1.20:1(max) | |

| | | | | | |
|------------|--------------|--------------------------|----------|------------|-------------|
| MA6862B-21 | 2.4mm Female | SMP Female | Straight | DC~40GHz | 1.25:1(max) |
| MA6862D-21 | 2.4mm Female | SMP Male(Full Detent) | Straight | DC~40GHz | 1.25:1(max) |
| MA6862D-22 | 2.4mm Female | SMP Male(Limited Detent) | Straight | DC~40GHz | 1.25:1(max) |
| MA6862D-23 | 2.4mm Female | SMP Male(Smooth Bore) | Straight | DC~40GHz | 1.25:1(max) |
| MA6866B-21 | 2.4mm Female | 3.5mm Female | Straight | DC~26.5GHz | 1.15:1(max) |
| MA6866D-21 | 2.4mm Female | 3.5mm Male | Straight | DC~26.5GHz | 1.15:1(max) |
| MA6864B-21 | 2.4mm Female | SSMA Female | Straight | DC~40GHz | 1.20:1(max) |
| MA6864D-21 | 2.4mm Female | SSMA Male | Straight | DC~40GHz | 1.20:1(max) |
| MA6869B-21 | 2.4mm Female | SMA Female | Straight | DC~26.5GHz | 1.15:1(max) |
| MA6869D-21 | 2.4mm Female | SMA Male | Straight | DC~26.5GHz | 1.15:1(max) |
| MA6865B-21 | 2.4mm Female | N Female | Straight | DC~18GHz | 1.15:1(max) |
| MA6865D-21 | 2.4mm Female | N Male | Straight | DC~18GHz | 1.15:1(max) |
| MA6868C-21 | 2.4mm Male | 2.4mm Female | Straight | DC~50GHz | 1.15:1(max) |
| MA6868A-21 | 2.4mm Male | 2.4mm Male | Straight | DC~50GHz | 1.15:1(max) |
| MA6867C-21 | 2.4mm Male | 2.92mm Female | Straight | DC~40GHz | 1.15:1(max) |
| MA6867A-21 | 2.4mm Male | 2.92mm Male | Straight | DC~40GHz | 1.15:1(max) |
| MA6862C-21 | 2.4mm Male | SMP Female | Straight | DC~40GHz | 1.25:1(max) |
| MA6862A-21 | 2.4mm Male | SMP Male(Full Detent) | Straight | DC~40GHz | 1.25:1(max) |
| MA6862A-22 | 2.4mm Male | SMP Male(Limited Detent) | Straight | DC~40GHz | 1.25:1(max) |
| MA6862A-23 | 2.4mm Male | SMP Male(Smooth Bore) | Straight | DC~40GHz | 1.25:1(max) |
| MA6866C-21 | 2.4mm Male | 3.5mm Female | Straight | DC~26.5GHz | 1.15:1(max) |
| MA6866A-21 | 2.4mm Male | 3.5mm Male | Straight | DC~26.5GHz | 1.15:1(max) |
| MA6864C-21 | 2.4mm Male | SSMA Female | Straight | DC~40GHz | 1.20:1(max) |
| MA6864A-21 | 2.4mm Male | SSMA Male | Straight | DC~40GHz | 1.20:1(max) |
| MA6869C-21 | 2.4mm Male | SMA Female | Straight | DC~26.5GHz | 1.15:1(max) |
| MA6869A-21 | 2.4mm Male | SMA Male | Straight | DC~26.5GHz | 1.15:1(max) |
| MA6865C-21 | 2.4mm Male | N Female | Straight | DC~18GHz | 1.15:1(max) |
| MA6865A-21 | 2.4mm Male | N Male | Straight | DC~18GHz | 1.15:1(max) |

2.92mm Adapters

| P/N | Connector 1 | Connector 2 | Description | Frequency | VSWR |
|---------------|---------------|--------------------------|-------------------------------|------------|-------------|
| MA6767B-21 | 2.92mm Female | 2.92mm Female | Straight | DC~40GHz | 1.20:1(max) |
| MA6767BF01-21 | 2.92mm Female | 2.92mm Female | Straight, 4 Hole Flange Mount | DC~40GHz | 1.20:1(max) |
| MA6767BF01-22 | 2.92mm Female | 2.92mm Female | Straight, 4 Hole Flange Mount | DC~40GHz | 1.20:1(max) |
| MA6767DF01-21 | 2.92mm Female | 2.92mm Male | Straight, 4 Hole Flange Mount | DC~40GHz | 1.15:1(max) |
| MA6767BY-21 | 2.92mm Female | 2.92mm Female | Straight, Bulkhead Mount | DC~40GHz | 1.20:1(max) |
| MA6767BY-22 | 2.92mm Female | 2.92mm Female | Straight, Bulkhead Mount | DC~40GHz | 1.20:1(max) |
| MA6767BY-23 | 2.92mm Female | 2.92mm Female | Straight, Bulkhead Mount | DC~40GHz | 1.20:1(max) |
| MA6767DY-21 | 2.92mm Female | 2.92mm Male | Straight, Bulkhead Mount | DC~40GHz | 1.15:1(max) |
| MA6767BW-21 | 2.92mm Female | 2.92mm Female | Right Angle | DC~40GHz | 1.25:1(max) |
| MA6764B-21 | 2.92mm Female | SSMA Female | Straight | DC~40GHz | 1.20:1(max) |
| MA6764D-21 | 2.92mm Female | SSMA Male | Straight | DC~40GHz | 1.20:1(max) |
| MA6762B-21 | 2.92mm Female | SMP Female | Straight | DC~40GHz | 1.25:1(max) |
| MA6762D-21 | 2.92mm Female | SMP Male(Full Detent) | Straight | DC~40GHz | 1.25:1(max) |
| MA6762D-22 | 2.92mm Female | SMP Male(Limited Detent) | Straight | DC~40GHz | 1.25:1(max) |
| MA6762D-23 | 2.92mm Female | SMP Male(Smooth Bore) | Straight | DC~40GHz | 1.25:1(max) |
| MA6766B-21 | 2.92mm Female | 3.5mm Female | Straight | DC~26.5GHz | 1.15:1(max) |
| MA6766BF01-21 | 2.92mm Female | 3.5mm Female | Straight, 4 Hole Flange Mount | DC~26.5GHz | 1.15:1(max) |
| MA6766D-21 | 2.92mm Female | 3.5mm Male | Straight | DC~26.5GHz | 1.15:1(max) |
| MA6769B-21 | 2.92mm Female | SMA Female | Straight | DC~26.5GHz | 1.15:1(max) |
| MA6769D-21 | 2.92mm Female | SMA Male | Straight | DC~26.5GHz | 1.15:1(max) |
| MA6765B-21 | 2.92mm Female | N Female | Straight | DC~18GHz | 1.15:1(max) |
| MA6765D-21 | 2.92mm Female | N Male | Straight | DC~18GHz | 1.15:1(max) |
| MA6767C-21 | 2.92mm Male | 2.92mm Female | Straight | DC~40GHz | 1.15:1(max) |
| MA6767CW-21 | 2.92mm Male | 2.92mm Female | Right Angle | DC~40GHz | 1.25:1(max) |
| MA6767A-21 | 2.92mm Male | 2.92mm Male | Straight | DC~40GHz | 1.15:1(max) |
| MA6767AY-21 | 2.92mm Male | 2.92mm Male | Straight, Bulkhead Mount | DC~40GHz | 1.15:1(max) |

| | | | | | |
|-------------|-------------|---------------------------|-------------|------------|-------------|
| MA6767AW-11 | 2.92mm Male | 2.92mm Male | Right Angle | DC~40GHz | 1.25:1(max) |
| MA6764C-21 | 2.92mm Male | SSMA Female | Straight | DC~40GHz | 1.20:1(max) |
| MA6764A-21 | 2.92mm Male | SSMA Male | Straight | DC~40GHz | 1.20:1(max) |
| MA6762C-21 | 2.92mm Male | SMP Female | Straight | DC~40GHz | 1.25:1(max) |
| MA6762A-21 | 2.92mm Male | SMP Male(Full Detent) | Straight | DC~40GHz | 1.25:1(max) |
| MA6762A-22 | 2.92mm Male | SMP Male (Limited Detent) | Straight | DC~40GHz | 1.25:1(max) |
| MA6762A-23 | 2.92mm Male | SMP Male(Smooth Bore) | Straight | DC~40GHz | 1.25:1(max) |
| MA6766C-21 | 2.92mm Male | 3.5mm Female | Straight | DC~26.5GHz | 1.15:1(max) |
| MA6766A-21 | 2.92mm Male | 3.5mm Male | Straight | DC~26.5GHz | 1.15:1(max) |
| MA6769C-21 | 2.92mm Male | SMA Female | Straight | DC~26.5GHz | 1.15:1(max) |
| MA6769A-21 | 2.92mm Male | SMA Male | Straight | DC~26.5GHz | 1.15:1(max) |
| MA6765C-21 | 2.92mm Male | N Female | Straight | DC~18GHz | 1.15:1(max) |
| MA6765A-21 | 2.92mm Male | N Male | Straight | DC~18GHz | 1.15:1(max) |

SSMA Adapters

| P/N | Connector 1 | Connector 2 | Description | Frequency | VSWR |
|------------|-------------|-------------|-------------|------------|-------------|
| MA6464B-21 | SSMA Female | SSMA Female | Straight | DC~40GHz | 1.20:1(max) |
| MA6469B-21 | SSMA Female | SMA Female | Straight | DC~26.5GHz | 1.15:1(max) |
| MA6469D-21 | SSMA Female | SMA Male | Straight | DC~26.5GHz | 1.15:1(max) |
| MA6464C-21 | SSMA Male | SSMA Female | Straight | DC~40GHz | 1.20:1(max) |
| MA6464A-21 | SSMA Male | SSMA Male | Straight | DC~40GHz | 1.20:1(max) |
| MA6469C-21 | SSMA Male | SMA Female | Straight | DC~26.5GHz | 1.15:1(max) |
| MA6469A-21 | SSMA Male | SMA Male | Straight | DC~26.5GHz | 1.15:1(max) |

SMP Adapters

| P/N | Connector 1 | Connector 2 | Description | Frequency | VSWR |
|------------|--------------------------|-------------|-------------|------------|-------------|
| MA6269B-21 | SMP Female | SMA Female | Straight | DC~26.5GHz | 1.20:1(max) |
| MA6269D-21 | SMP Female | SMA Male | Straight | DC~26.5GHz | 1.20:1(max) |
| MA6269C-21 | SMP Male(Full Detent) | SMA Female | Straight | DC~26.5GHz | 1.20:1(max) |
| MA6269A-21 | SMP Male(Full Detent) | SMA Male | Straight | DC~26.5GHz | 1.20:1(max) |
| MA6269C-22 | SMP Male(Limited Detent) | SMA Female | Straight | DC~26.5GHz | 1.20:1(max) |
| MA6269A-22 | SMP Male(Limited Detent) | SMA Male | Straight | DC~26.5GHz | 1.20:1(max) |
| MA6269C-23 | SMP Male(Smooth Bore) | SMA Female | Straight | DC~26.5GHz | 1.20:1(max) |
| MA6269A-23 | SMP Male(Smooth Bore) | SMA Male | Straight | DC~26.5GHz | 1.20:1(max) |

3.5mm Adapters

| P/N | Connector 1 | Connector 2 | Description | Frequency | VSWR |
|---------------|--------------|--------------|-------------------------------|------------|-------------|
| MA6666B-21 | 3.5mm Female | 3.5mm Female | Straight | DC~26.5GHz | 1.15:1(max) |
| MA6666BF01-21 | 3.5mm Female | 3.5mm Female | Straight, 4 Hole Flange Mount | DC~26.5GHz | 1.15:1(max) |
| MA6666BF01-22 | 3.5mm Female | 3.5mm Female | Straight, 4 Hole Flange Mount | DC~26.5GHz | 1.15:1(max) |
| MA6666BY-21 | 3.5mm Female | 3.5mm Female | Straight, Bulkhead Mount | DC~26.5GHz | 1.15:1(max) |
| MA6666BY-22 | 3.5mm Female | 3.5mm Female | Straight, Bulkhead Mount | DC~26.5GHz | 1.15:1(max) |
| MA6666BW-21 | 3.5mm Female | 3.5mm Female | Right Angle | DC~26.5GHz | 1.25:1(max) |
| MA6669B-21 | 3.5mm Female | SMA Female | Straight | DC~26.5GHz | 1.15:1(max) |
| MA6669D-21 | 3.5mm Female | SMA Male | Straight | DC~26.5GHz | 1.15:1(max) |
| MA6665B-21 | 3.5mm Female | N Female | Straight | DC~18GHz | 1.15:1(max) |
| MA6665D-21 | 3.5mm Female | N Male | Straight | DC~18GHz | 1.15:1(max) |
| MA6635B-21 | 3.5mm Female | 7mm Sexless | Straight | DC~18GHz | 1.15:1(max) |
| MA6666C-21 | 3.5mm Male | 3.5mm Female | Straight | DC~26.5GHz | 1.15:1(max) |
| MA6666CW-21 | 3.5mm Male | 3.5mm Female | Right Angle | DC~26.5GHz | 1.25:1(max) |
| MA6666A-21 | 3.5mm Male | 3.5mm Male | Straight | DC~26.5GHz | 1.15:1(max) |
| MA6666AW-21 | 3.5mm Male | 3.5mm Male | Right Angle | DC~26.5GHz | 1.25:1(max) |
| MA6669C-21 | 3.5mm Male | SMA Female | Straight | DC~26.5GHz | 1.15:1(max) |
| MA6669A-21 | 3.5mm Male | SMA Male | Straight | DC~26.5GHz | 1.15:1(max) |
| MA6665C-21 | 3.5mm Male | N Female | Straight | DC~18GHz | 1.15:1(max) |
| MA6665A-21 | 3.5mm Male | N Male | Straight | DC~18GHz | 1.15:1(max) |
| MA6635A-21 | 3.5mm Male | 7mm Sexless | Straight | DC~18GHz | 1.15:1(max) |

| SMA Adapters | | | | | |
|---------------------|--------------------|------------------------|-------------------------------|------------------|-------------|
| P/N | Connector 1 | Connector 2 | Description | Frequency | VSWR |
| MA6969B-21 | SMA Female | SMA Female | Straight | DC~26.5GHz | 1.15:1(max) |
| MA6969B-31 | SMA Female | SMA Female | Straight | DC~18GHz | 1.15:1(max) |
| MA6969BF01-21 | SMA Female | SMA Female | Straight, 4 Hole Flange Mount | DC~26.5GHz | 1.15:1(max) |
| MA6969BF01-22 | SMA Female | SMA Female | Straight, 4 Hole Flange Mount | DC~26.5GHz | 1.15:1(max) |
| MA6969BF01-23 | SMA Female | SMA Female | Straight, 4 Hole Flange Mount | DC~26.5GHz | 1.15:1(max) |
| MA6969BY-21 | SMA Female | SMA Female | Straight, Bulkhead Mount | DC~26.5GHz | 1.15:1(max) |
| MA6969BY-22 | SMA Female | SMA Female | Straight, Bulkhead Mount | DC~26.5GHz | 1.15:1(max) |
| MA6969BW-21 | SMA Female | SMA Female | Right Angle | DC~26.5GHz | 1.25:1(max) |
| MA6969DY-21 | SMA Female | SMA Male | Straight, Bulkhead Mount | DC~26.5GHz | 1.15:1(max) |
| MA6965B-21 | SMA Female | N Female | Straight | DC~18GHz | 1.15:1(max) |
| MA6965B-31 | SMA Female | N Female | Straight | DC~18GHz | 1.20:1(max) |
| MA6965BF10-21 | SMA Female | N Female | Straight, 4 Hole Flange Mount | DC~18GHz | 1.15:1(max) |
| MA6965BF10-22 | SMA Female | N Female | Straight, 4 Hole Flange Mount | DC~18GHz | 1.15:1(max) |
| MA6965BY-21 | SMA Female | N Female | Straight, Bulkhead Mount | DC~18GHz | 1.15:1(max) |
| MA6965BY-22 | SMA Female | N Female | Straight, Bulkhead Mount | DC~18GHz | 1.15:1(max) |
| MA6965D-21 | SMA Female | N Male | Straight | DC~18GHz | 1.15:1(max) |
| MA6965D-31 | SMA Female | N Male | Straight | DC~18GHz | 1.20:1(max) |
| MA6956B-21 | SMA Female | L16 Female | Straight | DC~18GHz | 1.15:1(max) |
| MA6956D-21 | SMA Female | L16 Male | Straight | DC~18GHz | 1.15:1(max) |
| MA6942B-31 | SMA Female | BMA Female | Straight | DC~18GHz | 1.25:1(max) |
| MA6942D-31 | SMA Female | BMA Male | Straight | DC~18GHz | 1.25:1(max) |
| MA6933B-21 | SMA Female | TNCA Female | Straight | DC~18GHz | 1.15:1(max) |
| MA6933BF09-21 | SMA Female | TNCA Female | Straight, 4 Hole Flange Mount | DC~18GHz | 1.15:1(max) |
| MA6933BY-21 | SMA Female | TNCA Female | Straight, Bulkhead Mount | DC~18GHz | 1.15:1(max) |
| MA6933D-21 | SMA Female | TNCA Male | Straight | DC~18GHz | 1.15:1(max) |
| MA6944B-31 | SMA Female | SSMB Female | Straight | DC~12GHz | 1.20:1(max) |
| MA6944D-31 | SMA Female | SSMB Male | Straight | DC~12GHz | 1.20:1(max) |
| MA6946B-31 | SMA Female | SSMC Female | Straight | DC~12GHz | 1.20:1(max) |
| MA6946D-31 | SMA Female | SSMC Male | Straight | DC~12GHz | 1.20:1(max) |
| MA6932B-21 | SMA Female | TNC Female | Straight | DC~11GHz | 1.15:1(max) |
| MA6932D-21 | SMA Female | TNC Male | Straight | DC~11GHz | 1.15:1(max) |
| MA6932B-31 | SMA Female | TNC Female | Straight | DC~11GHz | 1.20:1(max) |
| MA6932D-31 | SMA Female | TNC Male | Straight | DC~11GHz | 1.20:1(max) |
| MA6941B-31 | SMA Female | 1.0-2.3 Female | Straight | DC~10GHz | 1.25:1(max) |
| MA6941D-31 | SMA Female | 1.0-2.3 Male(Snap-on) | Straight | DC~10GHz | 1.25:1(max) |
| MA6941D-32 | SMA Female | 1.0-2.3 Male(Slide-in) | Straight | DC~10GHz | 1.25:1(max) |
| MA6945B-31 | SMA Female | SMC Female | Straight | DC~10GHz | 1.25:1(max) |
| MA6945D-31 | SMA Female | SMC Male | Straight | DC~10GHz | 1.25:1(max) |
| MA6947B-31 | SMA Female | MCX Female | Straight | DC~6GHz | 1.20:1(max) |
| MA6947D-31 | SMA Female | MCX Male | Straight | DC~6GHz | 1.20:1(max) |
| MA6948B-31 | SMA Female | MMCX Female | Straight | DC~6GHz | 1.20:1(max) |
| MA6948D-31 | SMA Female | MMCX Male | Straight | DC~6GHz | 1.20:1(max) |
| MA6943B-31 | SMA Female | SMB Female | Straight | DC~4GHz | 1.15:1(max) |
| MA6943D-31 | SMA Female | SMB Male | Straight | DC~4GHz | 1.15:1(max) |
| MA6931B-21 | SMA Female | BNC Female | Straight | DC~4GHz | 1.10:1(max) |
| MA6931B-31 | SMA Female | BNC Female | Straight | DC~4GHz | 1.15:1(max) |
| MA6931D-21 | SMA Female | BNC Male | Straight | DC~4GHz | 1.10:1(max) |
| MA6931D-31 | SMA Female | BNC Male | Straight | DC~4GHz | 1.15:1(max) |
| MA6969C-21 | SMA Male | SMA Female | Straight | DC~26.5GHz | 1.15:1(max) |
| MA6969A-31 | SMA Male | SMA Male | Straight | DC~18GHz | 1.15:1(max) |
| MA6969C-31 | SMA Male | SMA Female | Straight | DC~18GHz | 1.15:1(max) |
| MA6969CF01-21 | SMA Male | SMA Female | Straight, 4 Hole Flange Mount | DC~26.5GHz | 1.15:1(max) |
| MA6969CW-21 | SMA Male | SMA Female | Right Angle | DC~26.5GHz | 1.25:1(max) |
| MA6969A-21 | SMA Male | SMA Male | Straight | DC~26.5GHz | 1.15:1(max) |

| | | | | | |
|---------------|----------|------------------------|-------------------------------|------------|-------------|
| MA6969AF01-21 | SMA Male | SMA Male | Straight, 4 Hole Flange Mount | DC~26.5GHz | 1.15:1(max) |
| MA6969AW-11 | SMA Male | SMA Male | Right Angle | DC~26.5GHz | 1.25:1(max) |
| MA6965C-21 | SMA Male | N Female | Straight | DC~18GHz | 1.15:1(max) |
| MA6965C-31 | SMA Male | N Female | Straight | DC~18GHz | 1.20:1(max) |
| MA6965CF10-21 | SMA Male | N Female | Straight, 4 Hole Flange Mount | DC~18GHz | 1.15:1(max) |
| MA6965CF10-22 | SMA Male | N Female | Straight, 4 Hole Flange Mount | DC~18GHz | 1.15:1(max) |
| MA6965A-21 | SMA Male | N Male | Straight | DC~18GHz | 1.15:1(max) |
| MA6965A-31 | SMA Male | N Male | Straight | DC~18GHz | 1.20:1(max) |
| MA6965AF10-21 | SMA Male | N Male | Straight, 4 Hole Flange Mount | DC~18GHz | 1.15:1(max) |
| MA6956C-21 | SMA Male | L16 Female | Straight | DC~18GHz | 1.15:1(max) |
| MA6956A-21 | SMA Male | L16 Male | Straight | DC~18GHz | 1.15:1(max) |
| MA6942C-31 | SMA Male | BMA Female | Straight | DC~18GHz | 1.25:1(max) |
| MA6942A-31 | SMA Male | BMA Male | Straight | DC~18GHz | 1.25:1(max) |
| MA6933C-21 | SMA Male | TNCA Female | Straight | DC~18GHz | 1.15:1(max) |
| MA6933A-21 | SMA Male | TNCA Male | Straight | DC~18GHz | 1.15:1(max) |
| MA6944C-31 | SMA Male | SSMB Female | Straight | DC~12GHz | 1.20:1(max) |
| MA6944A-31 | SMA Male | SSMB Male | Straight | DC~12GHz | 1.20:1(max) |
| MA6946C-31 | SMA Male | SSMC Female | Straight | DC~12GHz | 1.20:1(max) |
| MA6946A-31 | SMA Male | SSMC Male | Straight | DC~12GHz | 1.20:1(max) |
| MA6932C-21 | SMA Male | TNC Female | Straight | DC~11GHz | 1.15:1(max) |
| MA6932A-21 | SMA Male | TNC Male | Straight | DC~11GHz | 1.15:1(max) |
| MA6932C-31 | SMA Male | TNC Female | Straight | DC~11GHz | 1.20:1(max) |
| MA6932A-31 | SMA Male | TNC Male | Straight | DC~11GHz | 1.20:1(max) |
| MA6941C-31 | SMA Male | 1.0-2.3 Female | Straight | DC~10GHz | 1.25:1(max) |
| MA6941A-31 | SMA Male | 1.0-2.3 Male(Snap-on) | Straight | DC~10GHz | 1.25:1(max) |
| MA6941A-32 | SMA Male | 1.0-2.3 Male(Slide-in) | Straight | DC~10GHz | 1.25:1(max) |
| MA6945C-31 | SMA Male | SMC Female | Straight | DC~10GHz | 1.25:1(max) |
| MA6945A-31 | SMA Male | SMC Male | Straight | DC~10GHz | 1.25:1(max) |
| MA6947C-31 | SMA Male | MCX Female | Straight | DC~6GHz | 1.20:1(max) |
| MA6947A-31 | SMA Male | MCX Male | Straight | DC~6GHz | 1.20:1(max) |
| MA6948C-31 | SMA Male | MMCX Female | Straight | DC~6GHz | 1.20:1(max) |
| MA6948A-31 | SMA Male | MMCX Male | Straight | DC~6GHz | 1.20:1(max) |
| MA6943C-31 | SMA Male | SMB Female | Straight | DC~4GHz | 1.15:1(max) |
| MA6943A-31 | SMA Male | SMB Male | Straight | DC~4GHz | 1.15:1(max) |
| MA6931C-21 | SMA Male | BNC Female | Straight | DC~4GHz | 1.10:1(max) |
| MA6931C-31 | SMA Male | BNC Female | Straight | DC~4GHz | 1.15:1(max) |
| MA6931A-21 | SMA Male | BNC Male | Straight | DC~4GHz | 1.10:1(max) |
| MA6931A-31 | SMA Male | BNC Male | Straight | DC~4GHz | 1.15:1(max) |

N Adapters

| P/N | Connector 1 | Connector 2 | Description | Frequency | VSWR |
|---------------|-------------|-------------|-------------------------------|------------|-------------|
| MA6565B-21 | N Female | N Female | Straight | DC~18GHz | 1.15:1(max) |
| MA6565B-31 | N Female | N Female | Straight | DC~18GHz | 1.20:1(max) |
| MA6565B-32 | N Female | N Female | Straight | DC~12.4GHz | 1.15:1(max) |
| MA6565BF10-21 | N Female | N Female | Straight, 4 Hole Flange Mount | DC~18GHz | 1.15:1(max) |
| MA6565BY-21 | N Female | N Female | Straight, Bulkhead Mount | DC~18GHz | 1.15:1(max) |
| MA6565BW-11 | N Female | N Female | Right Angle | DC~18GHz | 1.25:1(max) |
| MA6565DF10-21 | N Female | N Male | Straight, 4 Hole Flange Mount | DC~18GHz | 1.15:1(max) |
| MA6556B-21 | N Female | L16 Female | Straight | DC~18GHz | 1.15:1(max) |
| MA6556D-21 | N Female | L16 Male | Straight | DC~18GHz | 1.15:1(max) |
| MA6535B-21 | N Female | 7mm Sexless | Straight | DC~18GHz | 1.15:1(max) |
| MA6533B-21 | N Female | TNCA Female | Straight | DC~18GHz | 1.15:1(max) |
| MA6533BF10-21 | N Female | TNCA Female | Straight, Bulkhead Mount | DC~18GHz | 1.15:1(max) |
| MA6533D-21 | N Female | TNCA Male | Straight | DC~18GHz | 1.15:1(max) |
| MA6532B-21 | N Female | TNC Female | Straight | DC~11GHz | 1.15:1(max) |
| MA6532B-31 | N Female | TNC Female | Straight | DC~11GHz | 1.20:1(max) |
| MA6532D-21 | N Female | TNC Male | Straight | DC~11GHz | 1.15:1(max) |

| | | | | | |
|-------------|----------|-------------|-------------|----------|-------------|
| MA6532D-31 | N Female | TNC Male | Straight | DC~11GHz | 1.20:1(max) |
| MA6558B-31 | N Female | SC Female | Straight | DC~8GHz | 1.15:1(max) |
| MA6558D-31 | N Female | SC Male | Straight | DC~8GHz | 1.15:1(max) |
| MA6547B-31 | N Female | MCX Female | Straight | DC~6GHz | 1.20:1(max) |
| MA6547D-31 | N Female | MCX Male | Straight | DC~6GHz | 1.20:1(max) |
| MA6531B-21 | N Female | BNC Female | Straight | DC~4GHz | 1.10:1(max) |
| MA6531B-31 | N Female | BNC Female | Straight | DC~4GHz | 1.15:1(max) |
| MA6531D-21 | N Female | BNC Male | Straight | DC~4GHz | 1.10:1(max) |
| MA6531D-31 | N Female | BNC Male | Straight | DC~4GHz | 1.15:1(max) |
| MA6565C-21 | N Male | N Female | Straight | DC~18GHz | 1.15:1(max) |
| MA6565C-31 | N Male | N Female | Straight | DC~18GHz | 1.20:1(max) |
| MA6565CW-11 | N Male | N Female | Right Angle | DC~18GHz | 1.25:1(max) |
| MA6565A-21 | N Male | N Male | Straight | DC~18GHz | 1.15:1(max) |
| MA6565A-31 | N Male | N Male | Straight | DC~18GHz | 1.20:1(max) |
| MA6565AW-11 | N Male | N Male | Right Angle | DC~18GHz | 1.25:1(max) |
| MA6566C-21 | N Male | L16 Female | Straight | DC~18GHz | 1.15:1(max) |
| MA6566A-21 | N Male | L16 Male | Straight | DC~18GHz | 1.15:1(max) |
| MA6535A-21 | N Male | 7mm Sexless | Straight | DC~18GHz | 1.15:1(max) |
| MA6533C-21 | N Male | TNCA Female | Straight | DC~18GHz | 1.15:1(max) |
| MA6533A-21 | N Male | TNCA Male | Straight | DC~18GHz | 1.15:1(max) |
| MA6532C-21 | N Male | TNC Female | Straight | DC~11GHz | 1.15:1(max) |
| MA6532C-31 | N Male | TNC Female | Straight | DC~11GHz | 1.20:1(max) |
| MA6532A-21 | N Male | TNC Male | Straight | DC~11GHz | 1.15:1(max) |
| MA6532A-31 | N Male | TNC Male | Straight | DC~11GHz | 1.20:1(max) |
| MA6558C-31 | N Male | SC Female | Straight | DC~8GHz | 1.15:1(max) |
| MA6558A-31 | N Male | SC Male | Straight | DC~8GHz | 1.15:1(max) |
| MA6547C-31 | N Male | MCX Female | Straight | DC~6GHz | 1.20:1(max) |
| MA6547A-31 | N Male | MCX Male | Straight | DC~6GHz | 1.20:1(max) |
| MA6531C-21 | N Male | BNC Female | Straight | DC~4GHz | 1.10:1(max) |
| MA6531A-21 | N Male | BNC Male | Straight | DC~4GHz | 1.10:1(max) |
| MA6531C-31 | N Male | BNC Female | Straight | DC~4GHz | 1.15:1(max) |
| MA6531A-31 | N Male | BNC Male | Straight | DC~4GHz | 1.15:1(max) |

L16 Adapters

| P/N | Connector 1 | Connector 2 | Description | Frequency | VSWR |
|------------|-------------|-------------|-------------|-----------|-------------|
| MA5656B-31 | L16 Female | L16 Female | Straight | DC~18GHz | 1.20:1(max) |
| MA5632B-31 | L16 Female | TNC Female | Straight | DC~11GHz | 1.15:1(max) |
| MA5632D-31 | L16 Female | TNC Male | Straight | DC~11GHz | 1.15:1(max) |
| MA5656C-31 | L16 Male | L16 Female | Straight | DC~18GHz | 1.20:1(max) |
| MA5656A-31 | L16 Male | L16 Male | Straight | DC~18GHz | 1.20:1(max) |
| MA5633C-21 | L16 Male | TNCA Female | Straight | DC~18GHz | 1.25:1(max) |
| MA5633A-21 | L16 Male | TNCA Male | Straight | DC~18GHz | 1.25:1(max) |
| MA5632C-31 | L16 Male | TNC Female | Straight | DC~11GHz | 1.15:1(max) |
| MA5632A-31 | L16 Male | TNC Male | Straight | DC~11GHz | 1.15:1(max) |
| MA5658C-31 | L16 Male | SC Female | Straight | DC~8GHz | 1.15:1(max) |
| MA5658A-31 | L16 Male | SC Male | Straight | DC~8GHz | 1.15:1(max) |
| MA5631C-31 | L16 Male | BNC Female | Straight | DC~4GHz | 1.15:1(max) |
| MA5631A-31 | L16 Male | BNC Male | Straight | DC~4GHz | 1.15:1(max) |

7mm Adapters

| P/N | Connector 1 | Connector 2 | Description | Frequency | VSWR |
|-----------|-------------|-------------|-------------|-----------|-------------|
| MA3535-11 | 7mm Sexless | 7mm Sexless | Straight | DC~18GHz | 1.15:1(max) |

TNCA Adapters

| P/N | Connector 1 | Connector 2 | Description | Frequency | VSWR |
|---------------|-------------|-------------|-------------------------------|-----------|-------------|
| MA3333B-21 | TNCA Female | TNCA Female | Straight | DC~18GHz | 1.25:1(max) |
| MA3333BF09-21 | TNCA Female | TNCA Female | Straight, 4 Hole Flange Mount | DC~18GHz | 1.25:1(max) |
| MA3333BY-21 | TNCA Female | TNCA Female | Straight, Bulkhead Mount | DC~18GHz | 1.25:1(max) |

| MA3333C-21 | TNCA Male | TNCA Female | Straight | DC~18GHz | 1.25:1(max) |
|----------------------|-------------|-------------|-------------|-----------|-------------|
| MA3333A-21 | TNCA Male | TNCA Male | Straight | DC~18GHz | 1.25:1(max) |
| TNC Adapters | | | | | |
| P/N | Connector 1 | Connector 2 | Description | Frequency | VSWR |
| MA3232B-21 | TNC Female | TNC Female | Straight | DC~11GHz | 1.15:1(max) |
| MA3232C-21 | TNC Male | TNC Female | Straight | DC~11GHz | 1.15:1(max) |
| MA3232A-21 | TNC Male | TNC Male | Straight | DC~11GHz | 1.15:1(max) |
| SC Adapters | | | | | |
| P/N | Connector 1 | Connector 2 | Description | Frequency | VSWR |
| MA5858B-31 | SC Female | SC Female | Straight | DC~8GHz | 1.15:1(max) |
| MA5858C-31 | SC Male | SC Female | Straight | DC~8GHz | 1.15:1(max) |
| MA5858A-31 | SC Male | SC Male | Straight | DC~8GHz | 1.15:1(max) |
| MMCX Adapters | | | | | |
| P/N | Connector 1 | Connector 2 | Description | Frequency | VSWR |
| MA4848B-31 | MMCX Female | MMCX Female | Straight | DC~6GHz | 1.20:1(max) |
| MA4847B-31 | MMCX Female | MCX Female | Straight | DC~6GHz | 1.20:1(max) |
| MA4847D-31 | MMCX Female | MCX Male | Straight | DC~6GHz | 1.20:1(max) |
| MA4848C-31 | MMCX Male | MMCX Female | Straight | DC~6GHz | 1.20:1(max) |
| MA4848A-31 | MMCX Male | MMCX Male | Straight | DC~6GHz | 1.20:1(max) |
| MA4847C-31 | MMCX Male | MCX Female | Straight | DC~6GHz | 1.20:1(max) |
| MA4847A-31 | MMCX Male | MCX Male | Straight | DC~6GHz | 1.20:1(max) |
| BNC Adapters | | | | | |
| P/N | Connector 1 | Connector 2 | Description | Frequency | VSWR |
| MA3131B-21 | BNC Female | BNC Female | Straight | DC~4GHz | 1.10:1(max) |
| MA3131B-31 | BNC Female | BNC Female | Straight | DC~4GHz | 1.15:1(max) |
| MA3131C-21 | BNC Male | BNC Female | Straight | DC~4GHz | 1.10:1(max) |
| MA3131A-21 | BNC Male | BNC Male | Straight | DC~4GHz | 1.10:1(max) |
| MA3131C-31 | BNC Male | BNC Female | Straight | DC~4GHz | 1.15:1(max) |
| MA3131A-31 | BNC Male | BNC Male | Straight | DC~4GHz | 1.15:1(max) |

Low-PIM Adapters



Low-PIM Adapters Selection Matrix

| Connector2 \ Connector1 | 7/16 | 4.1/9.5 | N |
|-------------------------|------|---------|---|
| 7/16 | √ | | |
| 4.1/9.5 | √ | √ | N |
| N | √ | √ | √ |
| SMA | √ | | |

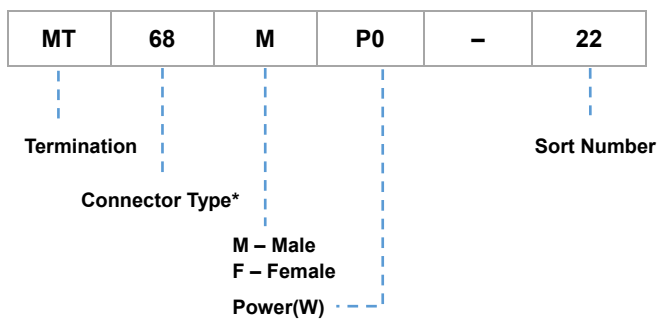
Low-PIM Adapters

| 7/16 Low-PIM Adapters | | | | | | |
|--------------------------|----------------|----------------|-------------------------------|------------|-------------|------------------|
| P/N | Connector 1 | Connector 2 | Description | Frequency | VSWR | PIM3 (2*43dBm) |
| MA3434B-LP | 7/16 Female | 7/16 Female | Straight | DC~7.5GHz | 1.15:1(max) | ≤-165dBc@1800MHz |
| MA3434BF12-LP | 7/16 Female | 7/16 Female | Straight, 4 Hole Flange Mount | DC~7.5GHz | 1.15:1(max) | ≤-165dBc@1800MHz |
| MA3434BY-LP | 7/16 Female | 7/16 Female | Straight, Bulkhead Mount | DC~7.5GHz | 1.15:1(max) | ≤-165dBc@1800MHz |
| MA3436B-LP | 7/16 Female | 4.1/9.5 Female | Straight | DC~7.5GHz | 1.15:1(max) | ≤-165dBc@1800MHz |
| MA3436D-LP | 7/16 Female | 4.1/9.5 Male | Straight | DC~7.5GHz | 1.15:1(max) | ≤-165dBc@1800MHz |
| MA3465B-LP | 7/16 Female | N Female | Straight | DC~7.5GHz | 1.25:1(max) | ≤-165dBc@1800MHz |
| MA3465BF11-LP | 7/16 Female | N Female | Straight, 4 Hole Flange Mount | DC~7.5GHz | 1.15:1(max) | ≤-165dBc@1800MHz |
| MA3465BY-LP | 7/16 Female | N Female | Straight, Bulkhead Mount | DC~7.5GHz | 1.20:1(max) | ≤-165dBc@1800MHz |
| MA3465D-LP | 7/16 Female | N Male | Straight | DC~7.5GHz | 1.25:1(max) | ≤-165dBc@1800MHz |
| MA3469B-LP | 7/16 Female | SMA Female | Straight | DC~7.5GHz | 1.15:1(max) | ≤-165dBc@1800MHz |
| MA3469D-LP | 7/16 Female | SMA Male | Straight | DC~7.5GHz | 1.15:1(max) | ≤-165dBc@1800MHz |
| MA3434C-LP | 7/16 Male | 7/16 Female | Straight | DC~7.5GHz | 1.15:1(max) | ≤-165dBc@1800MHz |
| MA3434A-LP | 7/16 Male | 7/16 Male | Straight | DC~7.5GHz | 1.15:1(max) | ≤-165dBc@1800MHz |
| MA3436C-LP | 7/16 Male | 4.1/9.5 Female | Straight | DC~7.5GHz | 1.15:1(max) | ≤-165dBc@1800MHz |
| MA3436A-LP | 7/16 Male | 4.1/9.5 Male | Straight | DC~7.5GHz | 1.15:1(max) | ≤-165dBc@1800MHz |
| MA3465C-LP | 7/16 Male | N Female | Straight | DC~7.5GHz | 1.25:1(max) | ≤-165dBc@1800MHz |
| MA3465A-LP | 7/16 Male | N Male | Straight | DC~7.5GHz | 1.25:1(max) | ≤-165dBc@1800MHz |
| MA3469C-LP | 7/16 Male | SMA Female | Straight | DC~7.5GHz | 1.15:1(max) | ≤-165dBc@1800MHz |
| MA3469A-LP | 7/16 Male | SMA Male | Straight | DC~7.5GHz | 1.15:1(max) | ≤-165dBc@1800MHz |
| 4.1/9.5 Low-PIM Adapters | | | | | | |
| P/N | Connector 1 | Connector 2 | Description | Frequency | VSWR | PIM3 (2*43dBm) |
| MA3636B-LP | 4.1/9.5 Female | 4.1/9.5 Female | Straight | DC~14GHz | 1.15:1(max) | ≤-165dBc@1800MHz |
| MA3636BY-LP | 4.1/9.5 Female | 4.1/9.5 Female | Straight, Bulkhead Mount | DC~14GHz | 1.15:1(max) | ≤-165dBc@1800MHz |
| MA3665B-LP | 4.1/9.5 Female | N Female | Straight | DC~12.4GHz | 1.15:1(max) | ≤-165dBc@1800MHz |
| MA3665BY-LP | 4.1/9.5 Female | N Female | Straight, Bulkhead Mount | DC~12.4GHz | 1.15:1(max) | ≤-165dBc@1800MHz |
| MA3665D-LP | 4.1/9.5 Female | N Male | Straight | DC~12.4GHz | 1.15:1(max) | ≤-165dBc@1800MHz |
| MA3636C-LP | 4.1/9.5 Male | 4.1/9.5 Female | Straight | DC~14GHz | 1.15:1(max) | ≤-165dBc@1800MHz |
| MA3636A-LP | 4.1/9.5 Male | 4.1/9.5 Male | Straight | DC~14GHz | 1.15:1(max) | ≤-165dBc@1800MHz |
| MA3665C-LP | 4.1/9.5 Male | N Female | Straight | DC~12.4GHz | 1.15:1(max) | ≤-165dBc@1800MHz |
| MA3665A-LP | 4.1/9.5 Male | N Male | Straight | DC~12.4GHz | 1.15:1(max) | ≤-165dBc@1800MHz |
| N Low-PIM Adapters | | | | | | |
| P/N | Connector 1 | Connector 2 | Description | Frequency | VSWR | PIM3 (2*43dBm) |
| MA6565B-LP | N Female | N Female | Straight | DC~12.4GHz | 1.15:1(max) | ≤-165dBc@1800MHz |
| MA6565BF10-LP | N Female | N Female | Straight, 4 Hole Flange Mount | DC~12.4GHz | 1.15:1(max) | ≤-165dBc@1800MHz |
| MA6565BY-LP | N Female | N Female | Straight, Bulkhead Mount | DC~12.4GHz | 1.15:1(max) | ≤-165dBc@1800MHz |
| MA6565C-LP | N Male | N Female | Straight | DC~12.4GHz | 1.15:1(max) | ≤-165dBc@1800MHz |
| MA6565A-LP | N Male | N Male | Straight | DC~12.4GHz | 1.15:1(max) | ≤-165dBc@1800MHz |

RF Coaxial Loads / Terminations



Part Numbering



*Connector Type

| |
|--------|
| 2.4mm |
| 2.92mm |
| SSMA |
| 3.5mm |
| SMA |
| N |
| TNCA |

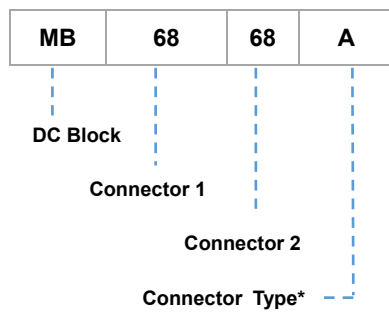
RF Coaxial Loads / Terminations

| 2.4mm Loads | | | | | |
|---------------------|-----------|--------|---------------|------------|-------------|
| P/N | Connector | Gender | Average Power | Frequency | VSWR |
| MT68MP0 | 2.4mm | Male | 0.5W | DC~40GHz | 1.25:1(max) |
| MT68FP0 | 2.4mm | Female | 0.5W | DC~40GHz | 1.25:1(max) |
| MT68MP0-21 | 2.4mm | Male | 0.5W | DC~50GHz | 1.35:1(max) |
| MT68FP0-21 | 2.4mm | Female | 0.5W | DC~50GHz | 1.35:1(max) |
| MT68MP1 | 2.4mm | Male | 1W | DC~40GHz | 1.30:1(max) |
| MT68FP1 | 2.4mm | Female | 1W | DC~40GHz | 1.30:1(max) |
| MT68MP1-21 | 2.4mm | Male | 1W | DC~50GHz | 1.40:1(max) |
| MT68FP1-21 | 2.4mm | Female | 1W | DC~50GHz | 1.40:1(max) |
| 2.92mm Loads | | | | | |
| P/N | Connector | Gender | Average Power | Frequency | VSWR |
| MT67MP0 | 2.92mm | Male | 0.5W | DC~40GHz | 1.20:1(max) |
| MT67FP0 | 2.92mm | Female | 0.5W | DC~40GHz | 1.20:1(max) |
| MT67MP1 | 2.92mm | Male | 1W | DC~40GHz | 1.25:1(max) |
| MT67FP1 | 2.92mm | Female | 1W | DC~40GHz | 1.25:1(max) |
| SSMA Loads | | | | | |
| P/N | Connector | Gender | Average Power | Frequency | VSWR |
| MT64MP1 | SSMA | Male | 1W | DC~40GHz | 1.30:1(max) |
| 3.5mm Loads | | | | | |
| P/N | Connector | Gender | Average Power | Frequency | VSWR |
| MT66MP1 | 3.5mm | Male | 1W | DC~26.5GHz | 1.15:1(max) |
| MT66FP1 | 3.5mm | Female | 1W | DC~26.5GHz | 1.15:1(max) |
| MT66MP2 | 3.5mm | Male | 2W | DC~26.5GHz | 1.20:1(max) |
| MT66FP2 | 3.5mm | Female | 2W | DC~26.5GHz | 1.20:1(max) |
| SMA Loads | | | | | |
| P/N | Connector | Gender | Average Power | Frequency | VSWR |
| MT69MP1 | SMA | Male | 1W | DC~26.5GHz | 1.15:1(max) |
| MT69FP1 | SMA | Female | 1W | DC~26.5GHz | 1.15:1(max) |
| MT69MP2 | SMA | Male | 2W | DC~26.5GHz | 1.20:1(max) |
| MT69FP2 | SMA | Female | 2W | DC~26.5GHz | 1.20:1(max) |
| N Loads | | | | | |
| P/N | Connector | Gender | Average Power | Frequency | VSWR |
| MT65MP2 | N | Male | 2W | DC~18GHz | 1.15:1(max) |
| MT65FP2 | N | Female | 2W | DC~18GHz | 1.15:1(max) |
| TNCA Loads | | | | | |
| P/N | Connector | Gender | Average Power | Frequency | VSWR |
| MT33MP2 | TNCA | Male | 2W | DC~18GHz | 1.25:1(max) |

DC Blocks



Part Numbering



*Connector Type

| Code | Connector Type |
|------|------------------|
| A | Male to Male |
| B | Female to Female |
| C | Male to Female |
| D | Female to Male |
| M | Male |
| F | Female |

DC Block Selection Matrix

| | | | | | |
|-------------------------|-------|--------|-------|-----|---|
| Connector2 \ Connector1 | 2.4mm | 2.92mm | 3.5mm | SMA | N |
| 2.4mm | √ | | | | |
| 2.92mm | | √ | | | |
| 3.5mm | | | √ | | |
| SMA | | | | √ | |
| N | | | | | √ |

DC Blocks

2.4mm DC Blocks

| P/N | Connector 1 | Connector 2 | Block Type | Frequency | VSWR | IL | Voltage |
|---------|--------------|--------------|------------|-------------|-------------|--------|---------|
| MB6868A | 2.4mm Male | 2.4mm Male | Inner | 30MHz~50GHz | 1.30:1(max) | ≤0.8dB | 50V |
| MB6868B | 2.4mm Female | 2.4mm Female | Inner | 30MHz~50GHz | 1.30:1(max) | ≤0.8dB | 50V |
| MB6868C | 2.4mm Male | 2.4mm Female | Inner | 30MHz~50GHz | 1.30:1(max) | ≤0.8dB | 50V |

2.92mm DC Blocks

| P/N | Connector 1 | Connector 2 | Block Type | Frequency | VSWR | IL | Voltage |
|---------|---------------|---------------|------------|-------------|-------------|--------|---------|
| MB6767A | 2.92mm Male | 2.92mm Male | Inner | 30MHz~40GHz | 1.30:1(max) | ≤0.8dB | 50V |
| MB6767B | 2.92mm Female | 2.92mm Female | Inner | 30MHz~40GHz | 1.30:1(max) | ≤0.8dB | 50V |
| MB6767C | 2.92mm Male | 2.92mm Female | Inner | 30MHz~40GHz | 1.30:1(max) | ≤0.8dB | 50V |

3.5mm DC Blocks

| P/N | Connector 1 | Connector 2 | Block Type | Frequency | VSWR | IL | Voltage |
|---------|--------------|--------------|------------|---------------|-------------|--------|---------|
| MB6666A | 3.5mm Male | 3.5mm Male | Inner | 30MHz~26.5GHz | 1.25:1(max) | ≤0.6dB | 50V |
| MB6666B | 3.5mm Female | 3.5mm Female | Inner | 30MHz~26.5GHz | 1.25:1(max) | ≤0.6dB | 50V |
| MB6666C | 3.5mm Male | 3.5mm Female | Inner | 30MHz~26.5GHz | 1.25:1(max) | ≤0.6dB | 50V |

SMA DC Blocks

| P/N | Connector 1 | Connector 2 | Block Type | Frequency | VSWR | IL | Voltage |
|---------|-------------|-------------|------------|---------------|-------------|--------|---------|
| MB6969A | SMA Male | SMA Male | Inner | 30MHz~26.5GHz | 1.20:1(max) | ≤0.8dB | 50V |
| MB6969B | SMA Female | SMA Female | Inner | 30MHz~26.5GHz | 1.20:1(max) | ≤0.8dB | 50V |
| MB6969C | SMA Male | SMA Female | Inner | 30MHz~26.5GHz | 1.20:1(max) | ≤0.8dB | 50V |

N DC Blocks

| P/N | Connector 1 | Connector 2 | Block Type | Frequency | VSWR | IL | Voltage |
|---------|-------------|-------------|------------|-------------|-------------|--------|---------|
| MB6565A | N Male | N Male | Inner | 10MHz~18GHz | 1.25:1(max) | ≤0.6dB | 50V |
| MB6565B | N Female | N Female | Inner | 10MHz~18GHz | 1.25:1(max) | ≤0.6dB | 50V |
| MB6565C | N Male | N Female | Inner | 10MHz~18GHz | 1.25:1(max) | ≤0.6dB | 50V |

Accessories

Torque Wrench

Materials

| | |
|----------|------------------------------|
| Handle | Aluminum (blue) |
| Open-end | Chrome plated steel (Silver) |



| P/N | Open-end wrench size | | Coupling torque | | Connector Type |
|----------|----------------------|-------|-----------------|--------|---------------------------------------|
| | mm | inch | Nm | in.lbs | |
| B060T034 | 6 | 15/64 | 0.34 | 3 | SMC |
| B060T045 | 6 | 15/64 | 0.45 | 4 | 1.0mm |
| B06T056 | 6.4 | 1/4 | 0.56 | 5 | SSMA |
| B06T090 | 6.4 | 1/4 | 0.9 | 8 | SSMA |
| B08T056 | 8 | 5/16 | 0.56 | 5 | SMA |
| B08T090 | 8 | 5/16 | 0.9 | 8 | SMA / 3.5mm / 2.92mm / 2.4mm / 1.85mm |
| B08T135 | 8 | 5/16 | 1.35 | 12 | SMA / 3.5mm / 2.92mm / 2.4mm / 1.85mm |
| B140T056 | 14 | 0.551 | 0.56 | 5 | TNC / TNCA |
| B140T135 | 14 | 0.551 | 1.35 | 12 | TNC / TNCA |
| B14T056 | 14.3 | 9/16 | 0.56 | 5 | TNC / TNCA |
| B14T135 | 14.3 | 9/16 | 1.35 | 12 | TNC / TNCA |
| B16T056 | 15.9 | 5/8 | 0.56 | 5 | TNC / TNCA |
| B16T135 | 15.9 | 5/8 | 1.35 | 12 | TNC / TNCA |
| B19T090 | 19 | 3/4 | 0.9 | 8 | N / NMD type |
| B19T135 | 19 | 3/4 | 1.35 | 12 | N / 7mm |
| B20T090 | 20 | 25/32 | 0.9 | 8 | N/ NMD type |
| B20T135 | 20 | 25/32 | 1.35 | 12 | N / 7mm |

*Coupling torque is customizable.

Boxes



HW01C1
275*200*80 mm



HW01C2
275*200*80 mm



HW02C3
145*145*60 mm



HW02C4
145*145*60 mm



HA01C5
160*130*65 mm

Technical Description

Part Numbering (General Rules)

| Connector | Code |
|------------------------|------|
| 1.0mm | 81 |
| 1.85mm | 61 |
| SMPM (mini-SMP / GPPO) | 63 |
| 2.4mm | 68 |
| 2.92mm | 67 |
| SSMA | 64 |
| SMP (GPO) | 62 |
| 3.5mm | 66 |
| SMA | 69 |
| N | 65 |
| L16 | 56 |
| 7mm | 35 |
| BMA | 42 |
| TNCA | 33 |
| SSMB | 44 |
| SSMC | 46 |
| TNC | 32 |
| 1.0-2.3 | 41 |
| SMC | 45 |
| SC | 58 |
| MCX | 47 |
| MMCX | 48 |
| SMB | 43 |
| BNC | 31 |
| 7/16 | 34 |
| 4.1/9.5 | 36 |
| NMD1.85mm | 71 |
| NMD2.4mm | 78 |
| NMD2.92mm | 37 |
| NMD3.5mm | 76 |

| Connector Type | Code |
|------------------|------|
| Male to Male | A |
| Female to Female | B |
| Male to Female | C |
| Female to Male | D |
| Male | M |
| Female | F |

NMD Connectors

| | | | | | |
|--|--|--|--|---|---|
|  |  |  |  |  |  |
| 7mm | N male | NMD3.5 female | NMD2.92 female | NMD2.4 female | NMD1.85 female |
|  |  |  |  |  | |
| N female | NMD3.5 male | NMD2.92 male | NMD2.4 male | NMD1.85 male | |
|  |  |  |  | | |
| 3.5mm female | 2.92mm female | 2.4mm female | 1.85mm female | | |

Stability Test Method

The test cable is terminated with a short circuit and tested on a calibrated vector network analyzer with a mandrel of 10 cm diameter. The one-way transmission phase stability is determined by dividing the two-way transmission phase measurement by two.

The one-way transmission loss stability is determined by dividing the two-way transmission loss measurement by two. The DATA/MEM feature provides an indication of both stabilities.

